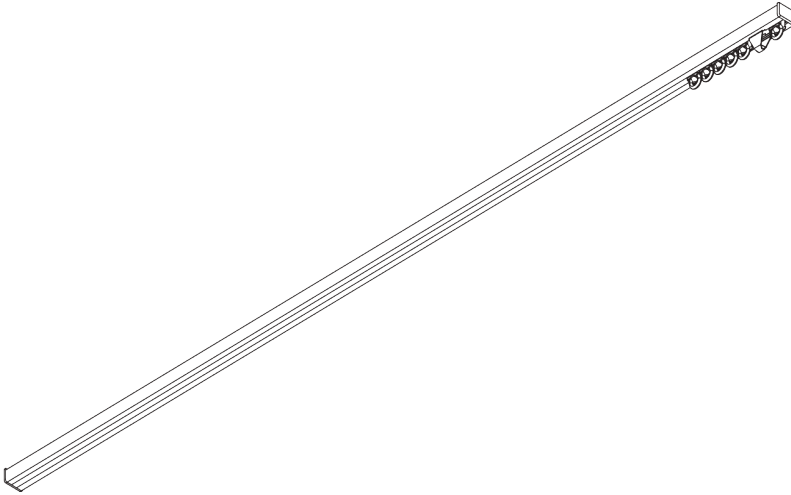
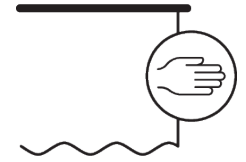


SG 1070



PRODUCT INFORMATION

- **Operation:** hand
- **Range:** S
- **Fitting:** ceiling
- **Colours:** white RAL 9016; special colours or anodised aluminum possible
- **Fabrics:** refer to Silent Gliss fabric collection

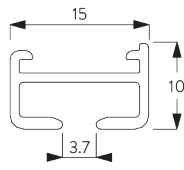
Features:

- Bendable

SYSTEM SPECIFICATIONS

A. PROFILE

Profile and bending information

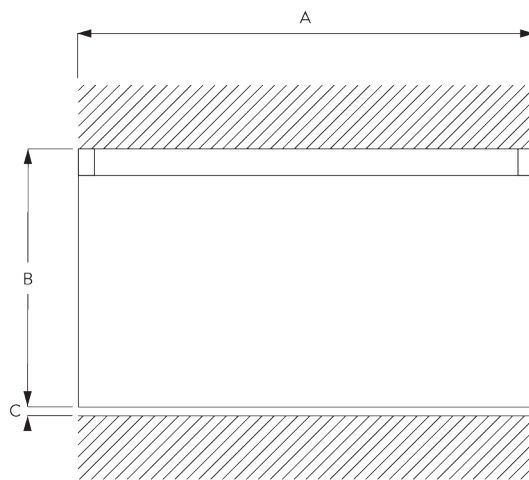


SG 1071

Profile

Radius:
✓ 8 cm, 12 cm, 16 cm,
>25 cm

B. HOW TO MEASURE



A: System width
B: System height
C: Distance between floor and fabric

C. SPECIFICATION TEXT

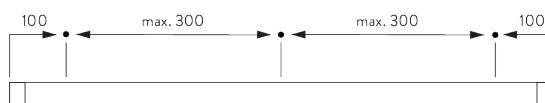
Silent Gliss SG 1070 Hand Operated Curtain Track System. Comprises aluminium profile SG 1071 supplied made to measure powder coated white, with gliders SG 3533 at 14/m and 2 end covers SG 1072 and 2 end stops SG 3016 per length. Top fixed with clamps SG 3060 at max. 300 mm centres.

FITTING

A. FITTING INFORMATION

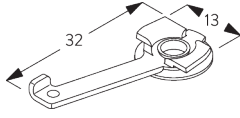
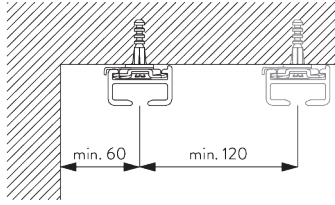
Fixing points

For detailed fitting information, visit the Silent Gliss website.



B. CEILING FITTING

Clamp SG 3060

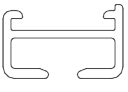
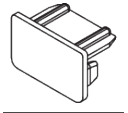

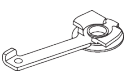



SG 3060

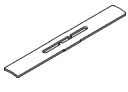
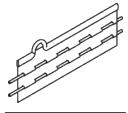


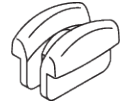

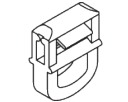
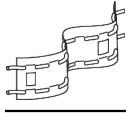
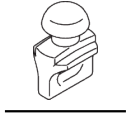
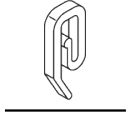

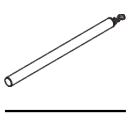
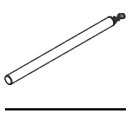
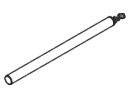
Clamp

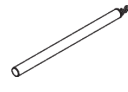
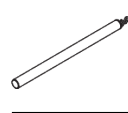
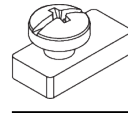
PARTS

A. STANDARD PARTS

	SG 1071 Profile
	SG 1072 End cover
	SG 3016 End stop
	SG 3060 Clamp
	SG 3533 Glider

B. OPTIONAL PARTS

	SG 3062 Connection bridge
	SG 3068 Frizzing tape
	SG 3070 End stop
	SG 3071 End stop
	SG 3511 Glider
	SG 3534 Glider 3533 on strip
	SG 3548 Glider
	SG 3562 Heading tape
	SG 3570 Glider
	SG 3582 Hook
	SG 3599 Hook
	SG 10430 Draw rod 50 cm
	SG 10431 Draw rod 75 cm
	SG 10432 Draw rod 100 cm

	SG 10433 Draw rod 125 cm
	SG 10434 Draw rod 150 cm
	SG 11335 End stop