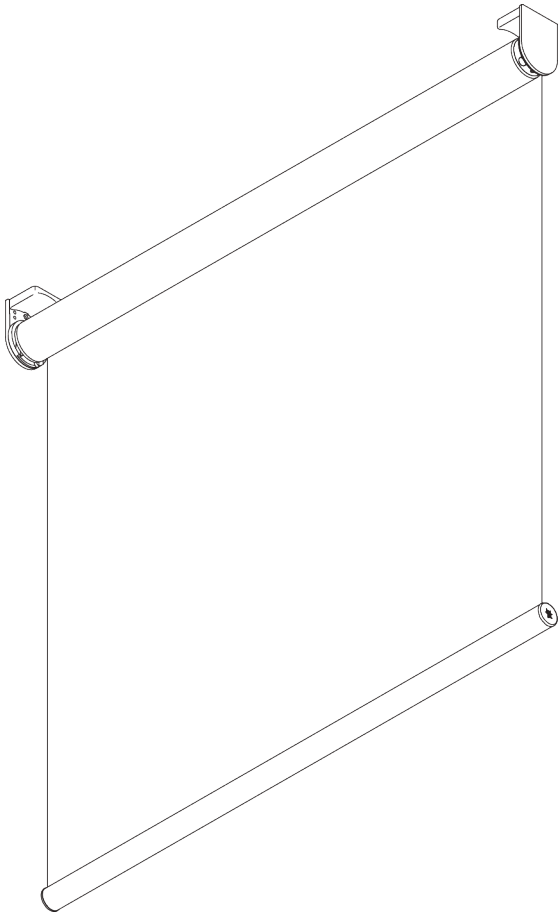
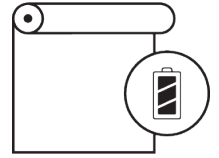


# SG 4955

---



## PRODUCT INFORMATION

- **Operation:** motorised
- **Range:** S - M
- **Fitting:** ceiling, wall, recess
- **Colours:** white RAL 9016, grey RAL 7035\*, black RAL 9005\* (\*motorhead in white only); special colours possible
- **Fabrics:** refer to Silent Gliss fabric collection

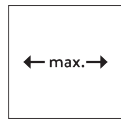
### **Features:**

- Quiet motor, soft stop
- Various control options
- Two systems side-by-side
- Click-in brackets
- Fascia, box, installation profile

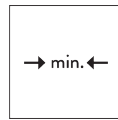
01/2026/V2

# SYSTEM SPECIFICATIONS

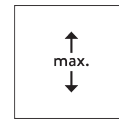
## A. SYSTEM DIMENSIONS



2.4 m



65 cm



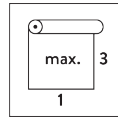
3 m



7.2 m<sup>2</sup>



4 kg



Recommended width /  
height ratio  
max. 1:3

## Maximum system drop

### Wall fitting (system drop on window side)

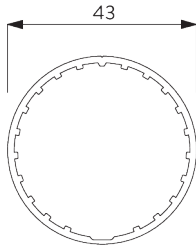
Fabric thickness	mm	0.15	0.20	0.25	0.30	0.35	0.40	0.45	0.50	0.55	0.60	0.65	0.70	0.75	0.80
Max. system drop	cm	300	300	300	300	300	300	300	300	300	290	270	250	230	220

### Ceiling fitting / wall fitting (system drop on room side)

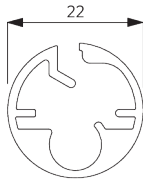
Fabric thickness	mm	0.15	0.20	0.25	0.30	0.35	0.40	0.45	0.50	0.55	0.60	0.65	0.70	0.75	0.80
Max. system drop	cm	300	300	300	300	300	300	300	300	300	300	300	300	300	280

## B. PROFILE

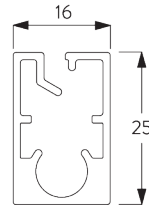
### Profile information



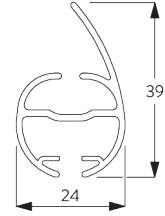
**SG 10532**  
Tube ø 43 mm



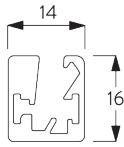
**SG 10760**  
Bottom bar



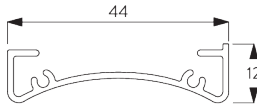
**SG 10770**  
Bottom bar



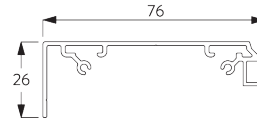
**SG 4903**  
Bottom bar



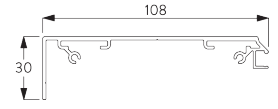
**SG 11442**  
Bottom bar



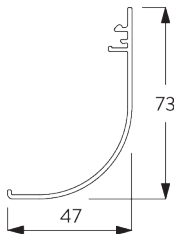
**SG 10534**  
Installation profile



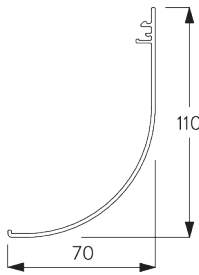
**SG 11430**  
Installation profile fascia 73 mm



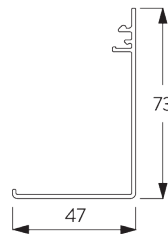
**SG 11530**  
Installation profile fascia 110 mm



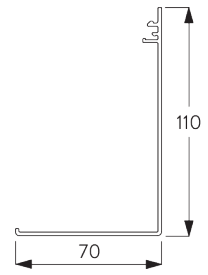
**SG 11431**  
Fascia round 73 mm



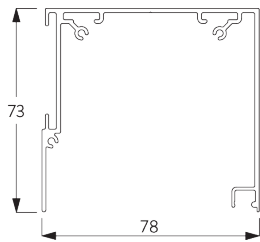
**SG 11531**  
Fascia round 110 mm



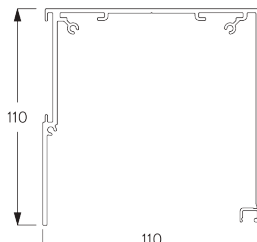
**SG 11432**  
Fascia square 73 mm



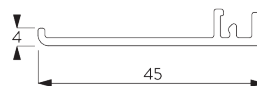
**SG 11532**  
Fascia square 110 mm



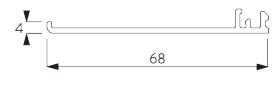
**SG 11433**  
Box case 73 mm



**SG 11533**  
Box case 110 mm



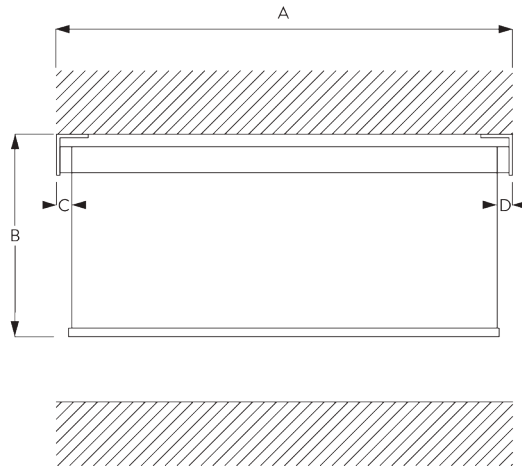
**SG 11434**  
Box cover



**SG 11534**  
Box cover 110 mm

### C. HOW TO MEASURE

incl. bracket covers

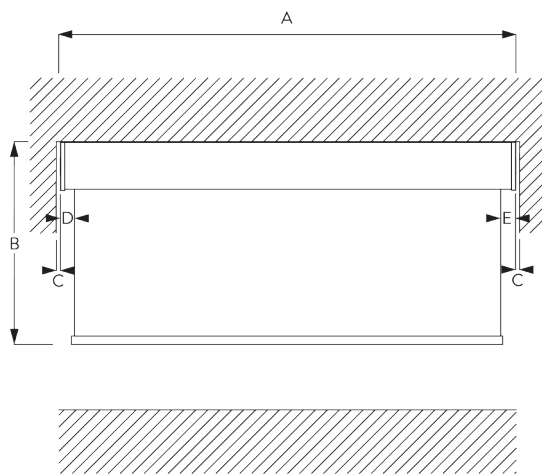


- A: System width
- B: System height
- C: Light gap: 10 mm
- D: Light gap operation side: 26 mm

Note:

All measurements include 2 mm for bracket cover per side!

### Fascia / Box



- A: System width
- B: System height
- C: Gap: min. 10 mm (when cover is used)\*
- D: Light gap: 12 mm
- E: Light gap operation side: 28 mm

Note:

\*Possible to make Fascia wider than system to reduce gap between wall and system.

### D. SPECIFICATION TEXT

**Silent Gliss SG 4955 Battery Operated Roller Blind System.** Roller blind system for light to medium size blind applications up to 2.4m wide/3m drop/ 4kg. Supplied made to measure and assembled comprising anodised aluminium barrel SG 10532. Fix to wall/ceiling/inside recess with brackets SG 10542/SG10543 and bracket covers SG 10574/SG 10575. Bottom bar [SG 10760 round / SG 10770 square / SG 4903 oval]. Visible metal hardware powder coated in [white / black / grey]. Integral rechargeable battery motor SG 11926 with USB C charging port positioned [left / right] side. Operation by Silent Gliss Control N radio handsets and switches and/or Move4.0 Server/App. Fabric to be chosen from The Collection by Silent Gliss, Price Group [1R / 2R / 3R].

## FITTING

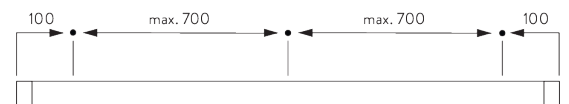
### A. FITTING INFORMATION

#### Fixing points

For detailed fitting information, visit the Silent Gliss website.

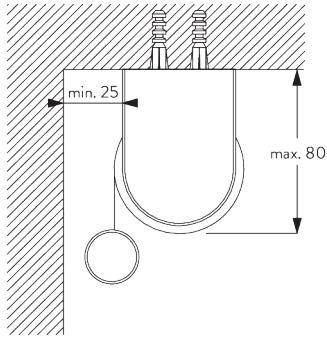


Brackets (wall / ceiling)

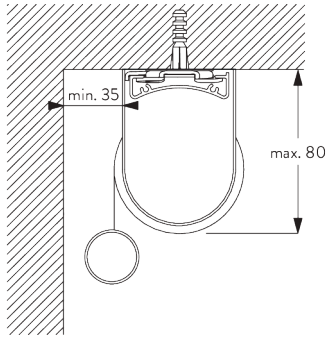


Fascia / box & installation profile SG 10534 (wall / ceiling)

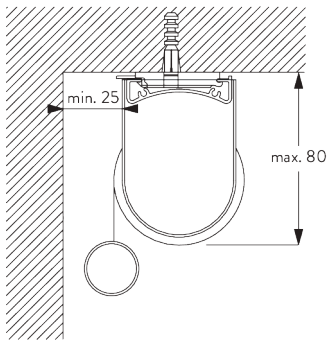
## **B. CEILING FITTING**



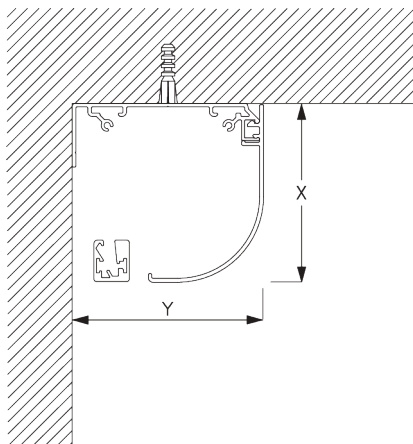
**Brackets**



**Installation profile SG 10534 and clamps SG 3033 or SG 3044**



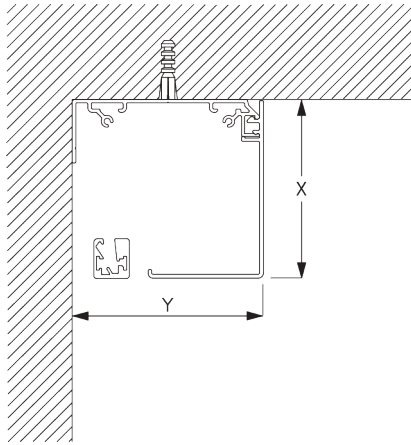
**Installation profile SG 10534 and click bracket SG 10539**



**Fascia round**

X = Fascia S 73 mm / Fascia L 110 mm

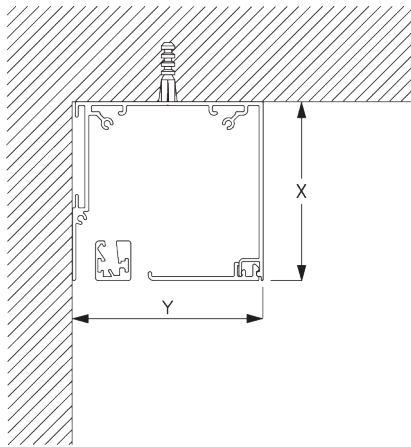
Y = Fascia S 78 mm / Fascia L 110 mm



**Fascia square**

X = Fascia S 73 mm / Fascia L 110 mm

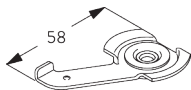
Y = Fascia S 78 mm / Fascia L 110 mm



**Box**

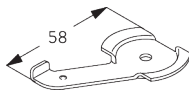
X = Box S 73 mm / Box L 110 mm

Y = Box S 78 mm / Box L 110 mm



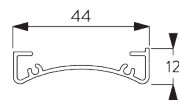
**SG 3033**

Clamp



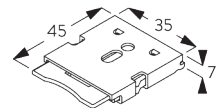
**SG 3044**

Clamp



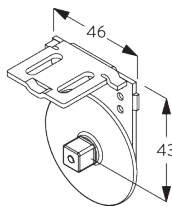
**SG 10534**

Installation profile



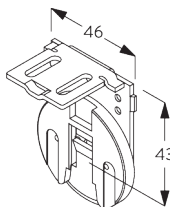
**SG 10539**

Bracket



**SG 10542**

Bracket



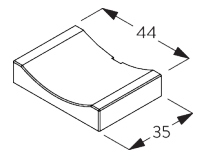
**SG 10543**

Bracket



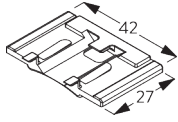
**SG 10574**

Bracket cover



**SG 10575**

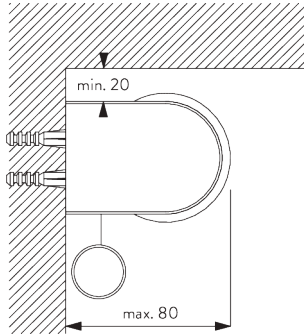
Bracket cover



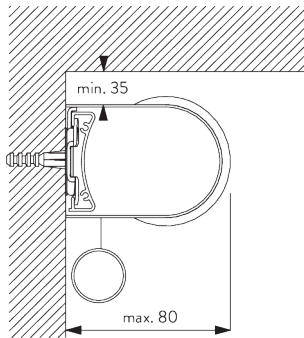
**SG 10690**

Spacer

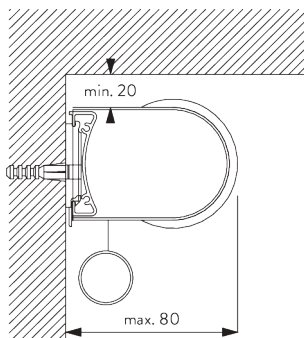
### C. WALL FITTING



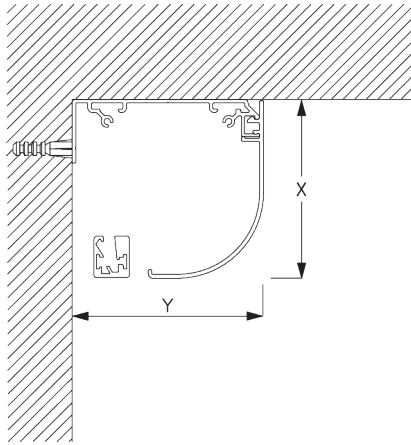
**Brackets**



**Installation profile SG 10534 and clamps SG 3033 or SG 3044**



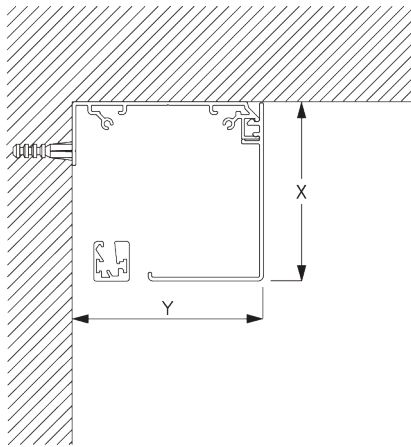
**Installation profile SG 10534 and click bracket SG 10539**



**Fascia round**

X = Fascia S 73 mm / Fascia L 110 mm

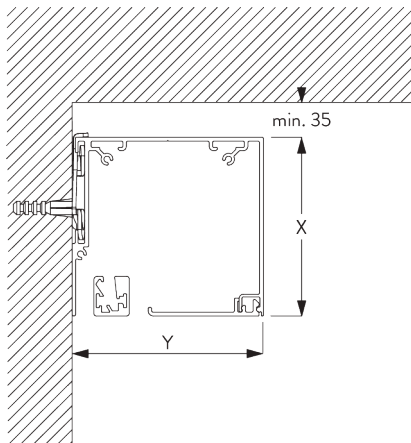
Y = Fascia S 78 mm / Fascia L 110 mm



**Fascia square**

X = Fascia S 73 mm / Fascia L 110 mm

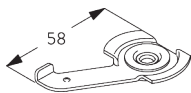
Y = Fascia S 78 mm / Fascia L 110 mm



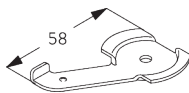
**Box S and clamp SG 3044 / Box L and clamp SG 11180**

X = Box S 73 mm / Box L 110 mm

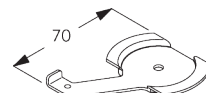
Y = Box S 78 mm / Box L 110 mm



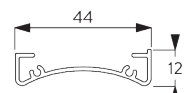
**SG 3033**  
Clamp



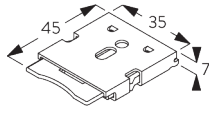
**SG 3044**  
Clamp



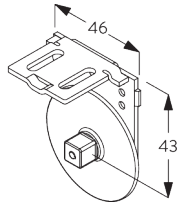
**SG 11180**  
Clamp



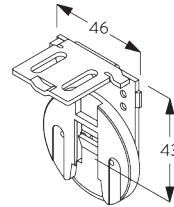
**SG 10534**  
Installation profile



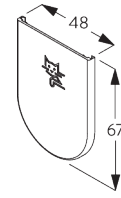
**SG 10539**  
Bracket



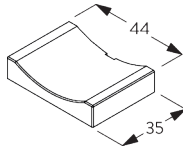
**SG 10542**  
Bracket



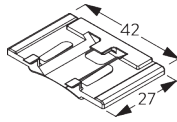
**SG 10543**  
Bracket



**SG 10574**  
Bracket cover

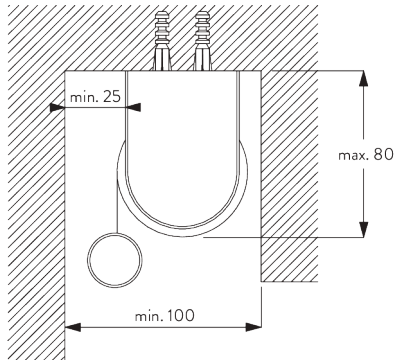


**SG 10575**  
Bracket cover

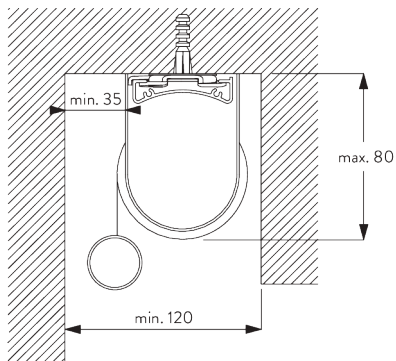


**SG 10690**  
Spacer

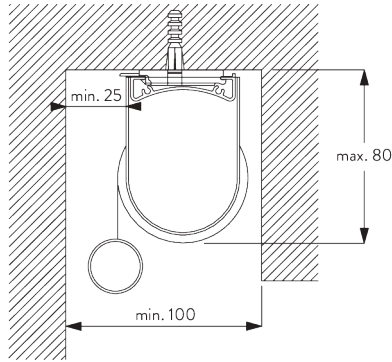
## D. RECESS FITTING



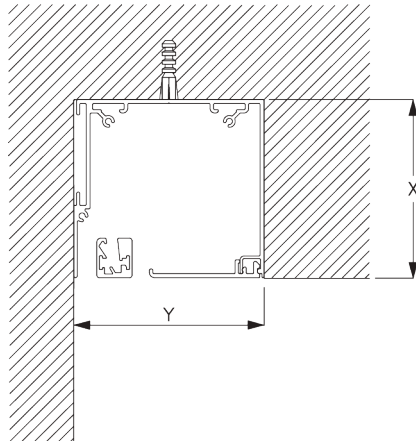
**Brackets**



**Installation profile SG 10534 and clamps SG 3033 or SG 3044**



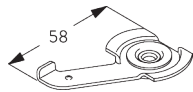
**Installation profile SG 10534 and click bracket SG 10539**



**Box**

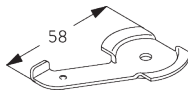
X = Box S 73 mm / Box L 110 mm

Y = Box S min. 79 mm / Box L min. 111 mm



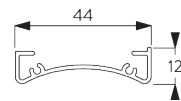
**SG 3033**

Clamp



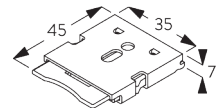
**SG 3044**

Clamp



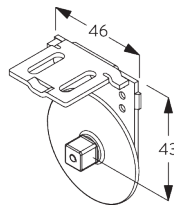
**SG 10534**

Installation profile



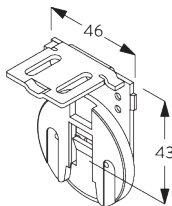
**SG 10539**

Bracket



**SG 10542**

Bracket



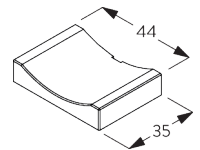
**SG 10543**

Bracket



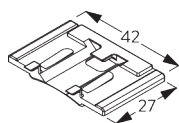
**SG 10574**

Bracket cover



**SG 10575**

Bracket cover

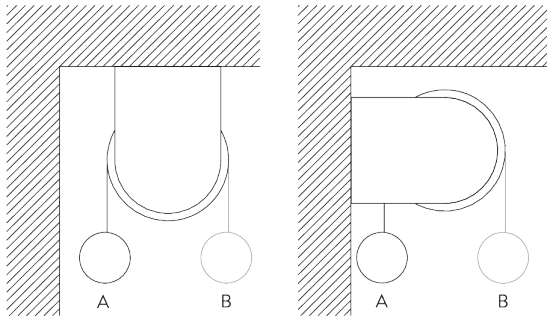


**SG 10690**

Spacer

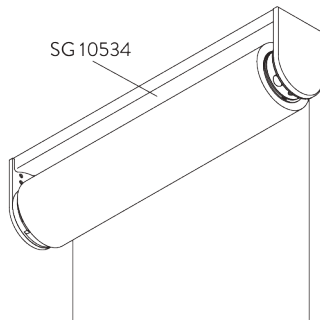
# SYSTEM OPTIONS

## A. FABRIC ROLL-OFF

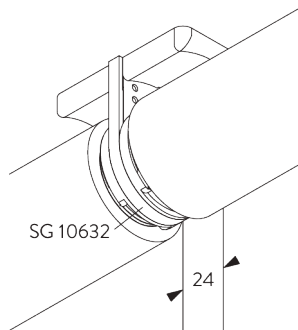


A: Fabric roll-off window side (standard)  
B: Fabric roll-off room side (option)

## B. INSTALLATION PROFILE



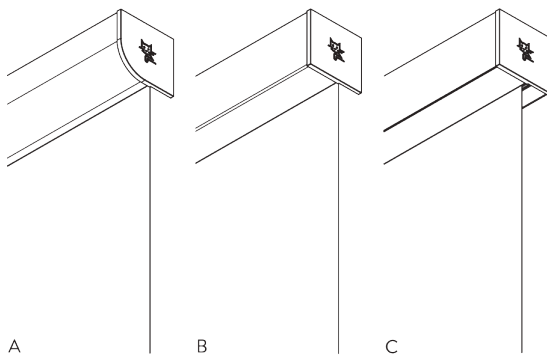
## C. TWO SINGLE SYSTEMS SIDE-BY-SIDE



Additional parts:

- 1x SG 10632 Connection bracket cover

## D. FASCIA / BOX



A: Fascia round  
B: Fascia square  
C: Box

Size:

- S: 78 x 73 mm  
- L: 110 x 110 mm

Note:

- Only applicable with bottom bar SG 11442  
- Two systems with one Fascia possible upon request

# MOTORS & CONTROLS

## A. MOTOR FEATURES

Motor	SG 11926
-------	----------

### Motor Features

Soft start / stop	●
Built-in receiver	●
Electronic end-stop	●
Electronic revolution counter (unlimited revolution)	●
IP class	IP 30

### Control Features

SG Control N (built-in receiver)	●
----------------------------------	---

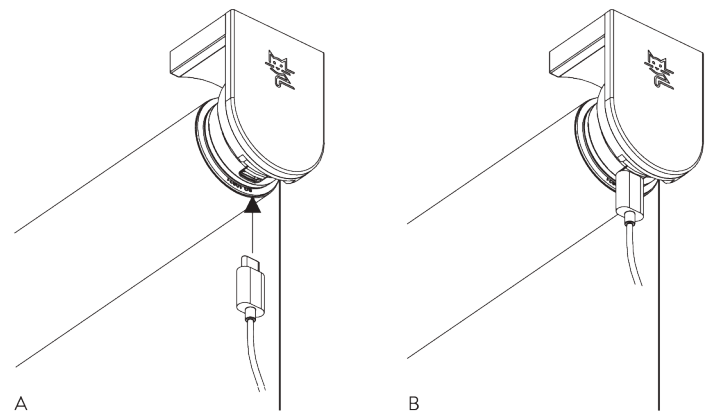
## B. MOTOR SPECIFICATIONS

Motor	Min. system width	Charging	Speed	Frequency receiver
SG 11926	65 cm	USB-C	28 rpm	433 MHz

## Battery charging

A: Plug-in USB-C cable

B: Battery fully charged when light is green



## C. OPERATING METHODS

See catalogue "controls" for details.

## SG Control N



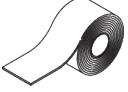
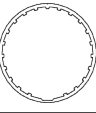
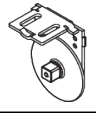
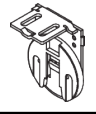

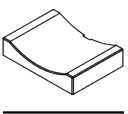

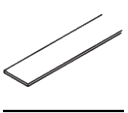
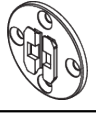


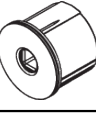
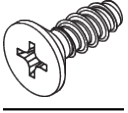
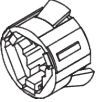
Various radio hand-held and wall transmitters available.

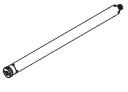


*Silent Gliss Move App.*






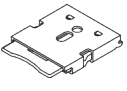

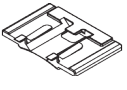
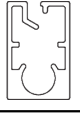



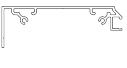

# PARTS

## A. STANDARD PARTS

	<b>SG 4226</b> Double tape 30 mm
	<b>SG 10532</b> Tube ø 43 mm
	<b>SG 10542</b> Bracket
	<b>SG 10543</b> Bracket
	<b>SG 10574</b> Bracket cover
	<b>SG 10575</b> Bracket cover
	<b>SG 10621</b> Tube adapter
	<b>SG 10668</b> PVC strip 10 mm
	<b>SG 10747</b> Motor plate S
	<b>SG 10760</b> Bottom bar
	<b>SG 10761</b> End cover
	<b>SG 11258</b> Tube adapter
	<b>SG 11322</b> PT Screw Countersunk KA35x10 WN 1413
	<b>SG 11356</b> Motor drive 40/50-Series

	<b>SG 11926</b> Motor Battery S 2/28
---	---

## B. OPTIONAL PARTS

	<b>SG 3033</b> Clamp
	<b>SG 3044</b> Clamp
	<b>SG 4903</b> Bottom bar
	<b>SG 10498</b> Countersunk screw 2.9x9.5
	<b>SG 10534</b> Installation profile
	<b>SG 10539</b> Bracket
	<b>SG 10632</b> Connection bracket cover
	<b>SG 10690</b> Spacer
	<b>SG 10770</b> Bottom bar
	<b>SG 10771</b> End cover
	<b>SG 11178</b> End cover
	<b>SG 11180</b> Clamp
	<b>SG 11430</b> Installation profile fascia 73 mm
	<b>SG 11431</b> Fascia round 73 mm

	<b>SG 11432</b> Fascia square 73 mm		<b>SG 11531</b> Fascia round 110 mm		<b>SG 11932</b> Radio hand held 6 channel
	<b>SG 11433</b> Box case 73 mm		<b>SG 11532</b> Fascia square 110 mm		<b>SG 11936</b> Radio wall transmitter 1 channel
	<b>SG 11434</b> Box cover		<b>SG 11533</b> Box case 110 mm		<b>SG 11937</b> Radio wall transmitter 6 channel
	<b>SG 11437</b> Bracket cover round left 73 mm		<b>SG 11534</b> Box cover 110 mm		<b>SG 11951</b> Charger USB-C
	<b>SG 11438</b> Bracket cover round right 73 mm		<b>SG 11537</b> Bracket cover round left 110 mm		
	<b>SG 11439</b> Bracket cover square left 73 mm		<b>SG 11538</b> Bracket cover round right 110 mm		
	<b>SG 11440</b> Bracket cover square right 73 mm		<b>SG 11539</b> Bracket cover square left 110 mm		
	<b>SG 11442</b> Bottom bar		<b>SG 11540</b> Bracket cover square right 110 mm		
	<b>SG 11443</b> End cover		<b>SG 11546</b> Bracket left 110 mm		
	<b>SG 11446</b> Bracket left 73 mm		<b>SG 11547</b> Bracket right 110 mm		
	<b>SG 11447</b> Bracket right 73 mm		<b>SG 11548</b> Bracket left 110 mm		
	<b>SG 11448</b> Bracket left 73 mm		<b>SG 11549</b> Bracket right 110 mm		
	<b>SG 11449</b> Bracket right 73 mm		<b>SG 11900</b> Move Server		
	<b>SG 11530</b> Installation profile fascia 110 mm		<b>SG 11931</b> Radio hand held 1 channel		

