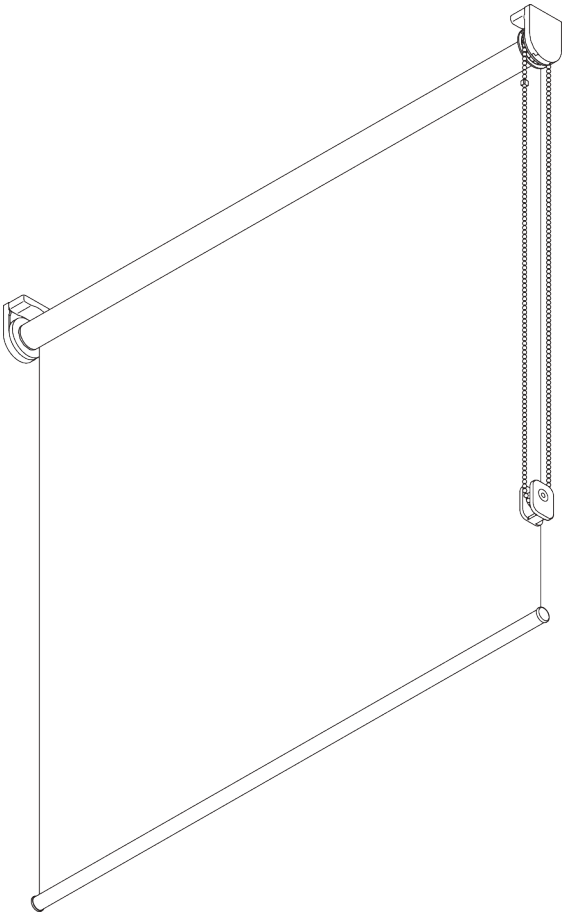


# SG 4905

---



## PRODUCT INFORMATION

- **Operation:** chain
- **Range:** S
- **Fitting:** ceiling, wall, recess
- **Colours:** 20 colours plus silver
- **Fabrics:** refer to Silent Gliss fabric collection

### **Features:**

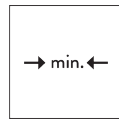
- Stainless steel bead chain
- Click-in brackets

# SYSTEM SPECIFICATIONS

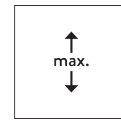
## A. SYSTEM DIMENSIONS



1.6 m



25 cm



3 m



4.8 m<sup>2</sup>



1.3 kg

## Maximum system drop

Wall fitting (system drop on window side)

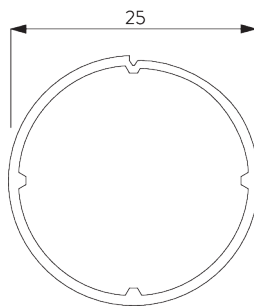
Fabric thickness	mm	0.15	0.20	0.25	0.30	0.35	0.40	0.45	0.50	0.55
Max. system drop	cm	300	300	300	300	290	260	240	210	190

Ceiling fitting / wall fitting (system drop on room side)

Fabric thickness	mm	0.15	0.20	0.25	0.30	0.35	0.40	0.45	0.50	0.55
Max. system drop	cm	300	300	300	300	300	300	290	260	240

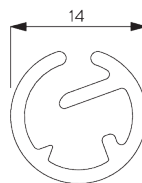
## B. PROFILE

### Profile information



**SG 10533**

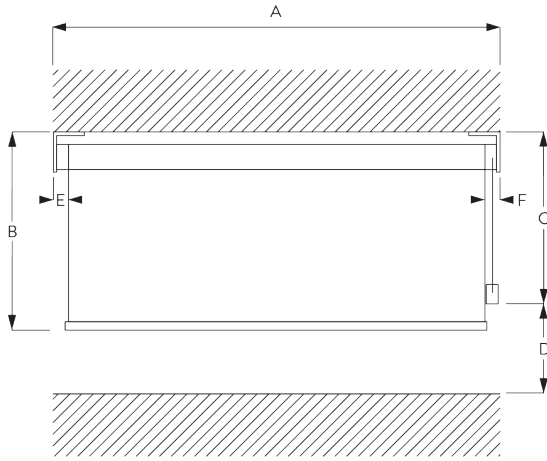
Tube ø 25 mm



**SG 10687**

Bottom bar

**C. HOW TO  
MEASURE**



- A: System width
- B: System height
- C: Chain height
- D: Safety Retainer SG 10731 min. 150 cm above floor
- E: Light gap: 16 mm
- F: Light gap operation side: 21 mm

**D. SPECIFICATION  
TEXT**

**Silent Gliss SG 4905 Chain Operated Roller Blind System.** Roller blind system for small to medium size blind applications up to 1.6m wide. Supplied made to measure and complete comprising anodised aluminium barrel SG 10533. Fixed to wall/ceiling/inside recess with brackets SG 10679 / SG 10680 and covers SG 10683 / SG 10684. Assembled with powder coated aluminium bottom weight bar SG 10687. All plastic parts are supplied colour matched to 27 Colorama colours, or silver. Compliant to Child Safety legislation EN 13120. SG 4905 only supplied with fabric Colorama 1 or Colorama 2.

**FITTING**

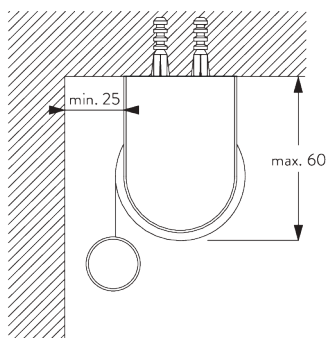
**A. FITTING  
INFORMATION**

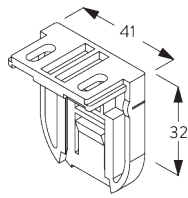
For detailed fitting information, visit the Silent Gliss website, login section.

**Fixing points**

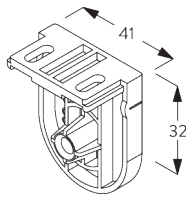


**B. CEILING FITTING**

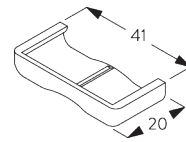




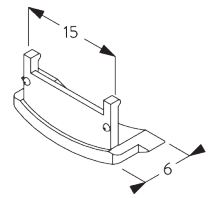
**SG 10679**  
Bracket



**SG 10680**  
Bracket

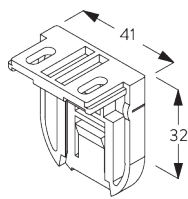
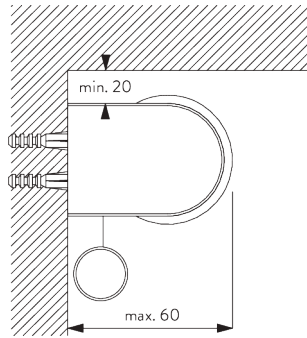


**SG 10683**  
Bracket cover

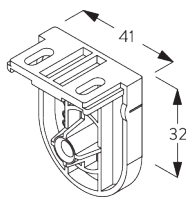


**SG 10684**  
Cover

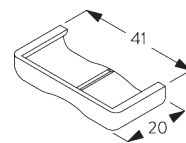
### C. WALL FITTING



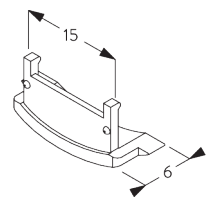
**SG 10679**  
Bracket



**SG 10680**  
Bracket

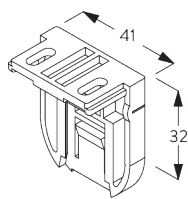
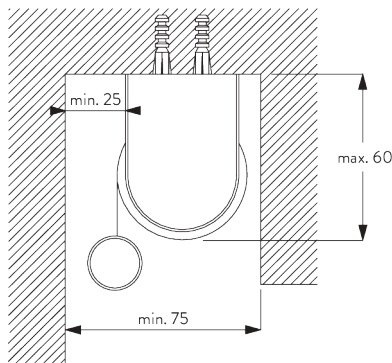


**SG 10683**  
Bracket cover

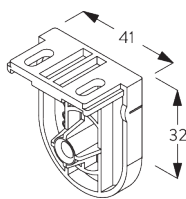


**SG 10684**  
Cover

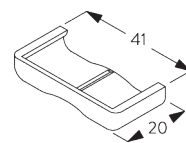
### D. RECESS FITTING



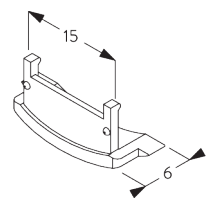
**SG 10679**  
Bracket



**SG 10680**  
Bracket

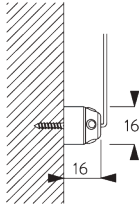
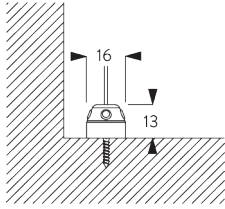


**SG 10683**  
Bracket cover

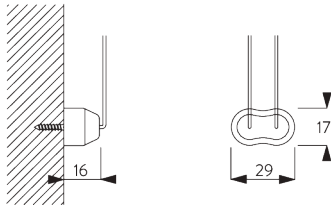
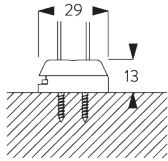


**SG 10684**  
Cover

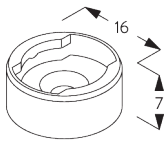
**E. FITTING WITH  
SIDE GUIDE  
OPTION**



**Single system**

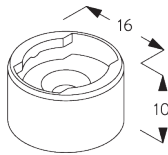


**Double system (side-by-side installation)**



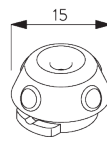
**SG 8235**

Side guide wire base short



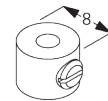
**SG 8236**

Side guide wire base long



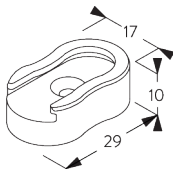
**SG 8237**

Side guide wire holder



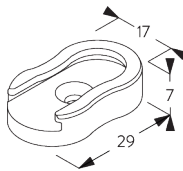
**SG 8249**

Side guide device



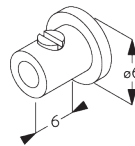
**SG 10669**

Side guide double base long



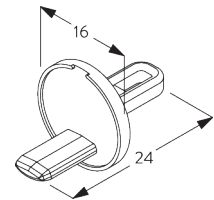
**SG 10673**

Side guide double base short



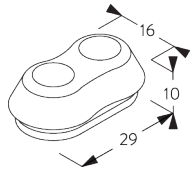
**SG 10676**

Device

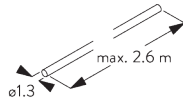


**SG 10686**

Side guide end cover



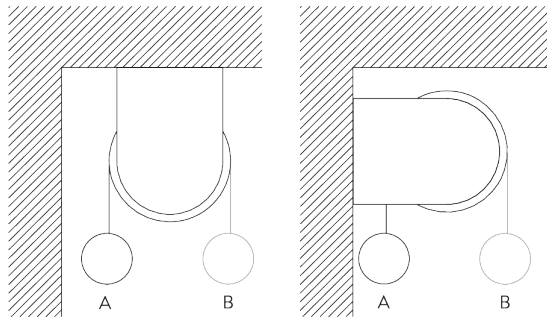
**SG 10701**  
Side guide double wire holder



**SG 10706**  
Side guide wire  $\varnothing$  1.3 mm x 2.6 m

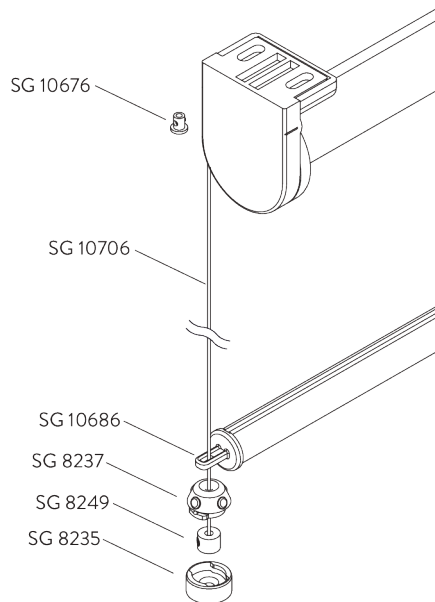
## SYSTEM OPTIONS

### A. FABRIC ROLL-OFF



A: Fabric roll-off window side (standard)  
B: Fabric roll-off room side (option)

### B. SIDE GUIDES



#### Additional parts:

- 2x SG 8235 Side guide wire base short
- 2x SG 8237 Side guide wire holder
- 2x SG 8249 Side guide device
- 2x SG 10676 Device
- 2x SG 10686 Side guide end cover
- 2x SG 10706 Side guide wire  $\varnothing$  1.3 mm x 2.6 m

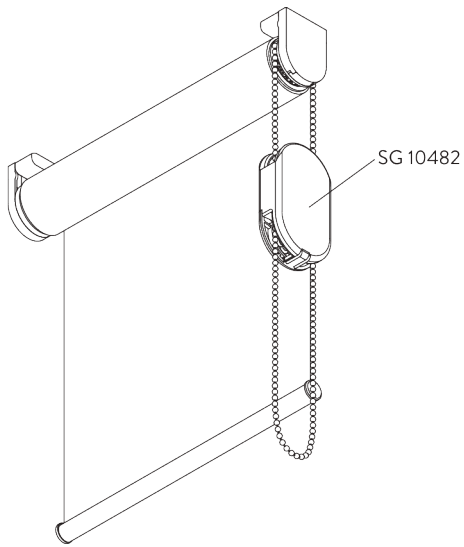
#### Optional parts:

- 2x SG 8236 Side guide wire base long
- 2x SG 10643 Side guide wire  $\varnothing$  1.3 mm x 4.2 m
- 1x SG 10669 Side guide double base long
- 1x SG 10673 Side guide double base short
- 1x SG 10701 Side guide double wire holder

#### Note:

- Light gaps increase when side-guide option is used
- Up to 15° from vertical

**C. CHILD SAFETY  
DEVICE**

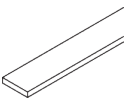

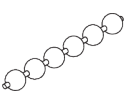

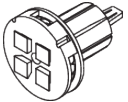
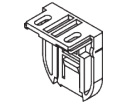
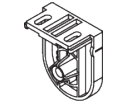

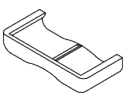
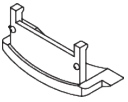


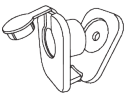


*The child safety device SG 10482 releases the chain should the pulling force exceed 6 kg.*



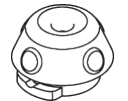
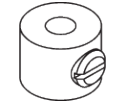
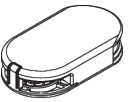
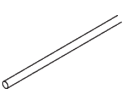





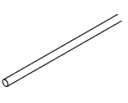
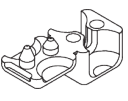
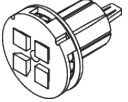
*Note:  
System to be installed so chain loop of child safety device ends at least 60 cm above floor.*

# PARTS

## A. STANDARD PARTS

	<b>SG 4187</b> PVC strip 8 mm
	<b>SG 4226</b> Double tape 30 mm
	<b>SG 10530</b> Bead chain metal ø 4 mm
	<b>SG 10533</b> Tube ø 25 mm
	<b>SG 10670</b> Chain drive, up to 1.3 kg fabric weight
	<b>SG 10679</b> Bracket
	<b>SG 10680</b> Bracket
	<b>SG 10681</b> Tube adapter
	<b>SG 10683</b> Bracket cover
	<b>SG 10684</b> Cover
	<b>SG 10685</b> End cover
	<b>SG 10687</b> Bottom bar
	<b>SG 10731</b> Child safety retainer set

## B. OPTIONAL PARTS

	<b>SG 8235</b> Side guide wire base short
	<b>SG 8236</b> Side guide wire base long
	<b>SG 8237</b> Side guide wire holder
	<b>SG 8249</b> Side guide device
	<b>SG 10482</b> Child safety device set metal chain ø 4.0 mm
	<b>SG 10643</b> Side guide wire ø 1.3 mm x 4.2 m
	<b>SG 10669</b> Side guide double base long
	<b>SG 10673</b> Side guide double base short
	<b>SG 10676</b> Device
	<b>SG 10686</b> Side guide end cover
	<b>SG 10701</b> Side guide double wire holder
	<b>SG 10706</b> Side guide wire ø 1.3 mm x 2.6 m
	<b>SG 10709</b> Chain stop for ø 4 mm chain
	<b>SG 10710</b> Chain drive, up to 0.5 kg fabric weight