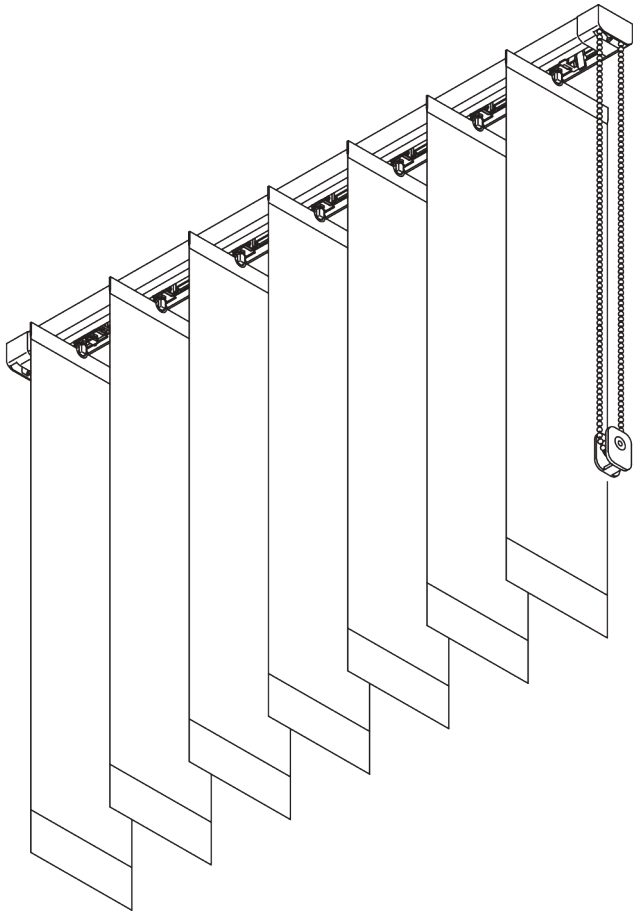


SG 2810



PRODUCT INFORMATION

- **Operation:** chain
- **Range:** S - M
- **Fitting:** ceiling, wall, recess
- **Colours:** white RAL 9016 or anodised aluminum, special colours possible
- **Fabrics:** refer to Silent Gliss fabric collection

Features:

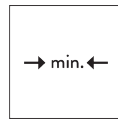
- Optimised light control
 - Mono controlled
 - Pull override protection
 - Louvre width: 127 mm (standard), 89 mm
 - Vertical Waves
 - Bendable
- 01/2026/V2

SYSTEM SPECIFICATIONS

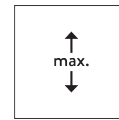
A. SYSTEM DIMENSIONS



127 mm louvres: 5 m
89 mm louvres: 3.8 m



40 cm



4 m



200 g per louvre

Max. system widths

	127 mm 89 mm	5 m 3.8 m
	127 mm 89 mm	4 m 3.1 m
	127 mm 89 mm	4 m 3.1 m

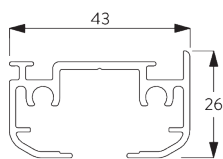
Stack sizes

		100	150	200	250	300	350	400	450	500
127 mm		27	35	42	50	57	65	72	80	87
		21	25	28	32	36	39	43	47	50
89 mm		29	40	50	60	69	80			
		20	25	30	35	39	45			

(cm)

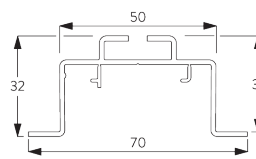
B. PROFILE

Profile and bending information



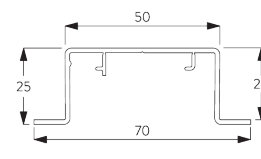
SG 2601

Profile



SG 2614

Recess profile

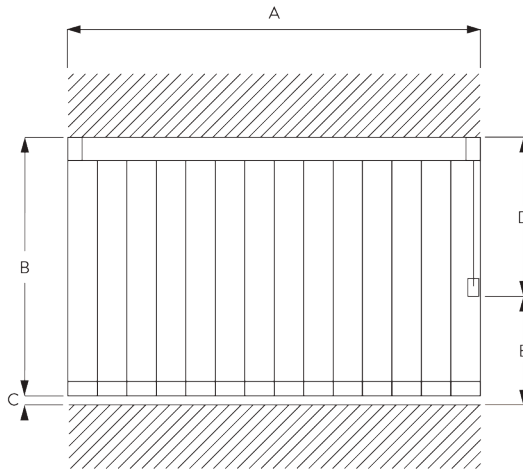


SG 2615

Recess profile

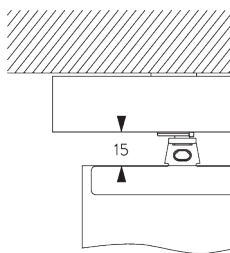


**C. HOW TO
MEASURE**



- A: System width
- B: System height
- C: Distance between floor and fabric
- D: Chain height
- E: Safety retainer SG 10731 min. 150 cm above floor

Light gap



**D. SPECIFICATION
TEXT**

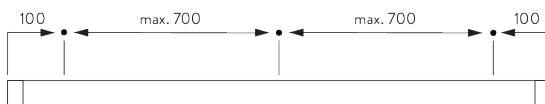
Silent Gliss SG 2810 Chain Operated Vertical Blind System. Comprises aluminium profile SG 2601 supplied made to measure powder coated white or silver anodised. Assembled complete with mono control chain SG 2872 and rotation elements to suit louvre width 127mm SG 2623 / 89mm SG 2625. Top fixed with clamp SG 2616 at max 300mm centres + 1. Wall fixed with bracket SG 2616 in conjunction with SG Smart Fix brackets SG 11201-11204 / SG Square Smart Fix brackets SG 11211-11214 / SG Universal Smart Fix brackets SG 11154-11156 at 300mm centres + 1. Recess fixed option with recess profile SG 2614 and wedges SG 5118. Fabric supplied from Silent Gliss fabric range.

FITTING

**A. FITTING
INFORMATION**

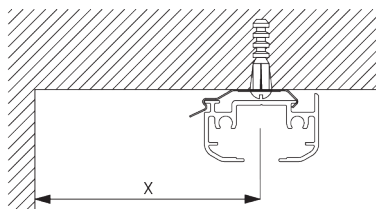
For detailed fitting information, visit the Silent Gliss website.

Fixing points

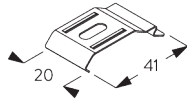


B. CEILING FITTING

Bracket SG 2616



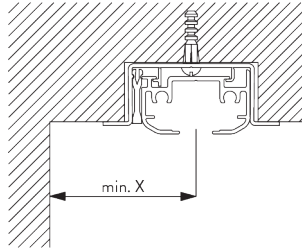
Min. wall distance louvres	X mm
89 mm	65
127 mm	85
Vertical Waves 89 mm	115
Vertical Waves 125 mm	140



SG 2616
Bracket

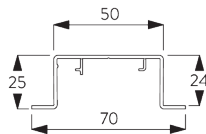
C. RECESS FITTING

**Recess profile
SG 2615**

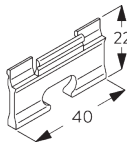


*Recess profile SG 2615 can not be bent!
One wedge SG 5118 per fixing point.
For detailed recess fitting, visit the Silent Gliss website.*

Min. wall distance louvres	X mm
89 mm	65
127 mm	85
Vertical Waves 89 mm	115
Vertical Waves 125 mm	140

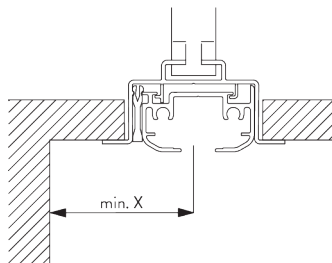


SG 2615
Recess profile



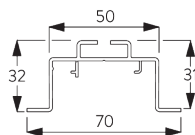
SG 5118
Wedge

**Suspended ceiling /
recess profile
SG 2614 and hanger
SG 6268**

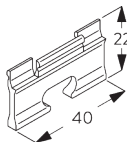


*Recess profile SG 2614 can not be bent!
One wedge SG 5118 per fixing point.
For detailed recess fitting, visit the Silent Gliss website.*

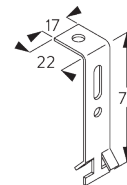
Min. wall distance louvres	X mm
89 mm	65
127 mm	85
Vertical Waves 89 mm	115
Vertical Waves 125 mm	140



SG 2614
Recess profile



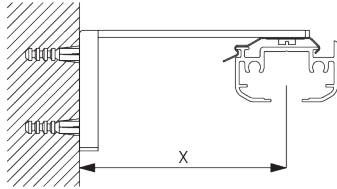
SG 5118
Wedge



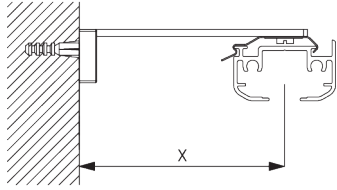
SG 6268
Hanger

D. WALL FITTING

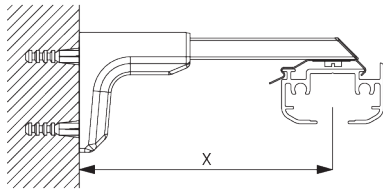
Smart Fix



Smart Fix SG 11201 - SG 11204 and bracket SG 2616:
Screw SG 10395 (M4x6) needed

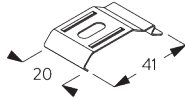


Square Smart Fix SG 11211 - SG 11214 and bracket SG 2616:
Screw SG 10395 (M4x6) needed



Universal Smart Fix SG 11154 - SG 11156 and bracket SG 2616:
Screw SG 10492 (M4x8) needed

Smart Fix	X mm
SG 11201 / SG 11211	72
SG 11202 / SG 11212	92
SG 11203 / SG 11213	112
SG 11204 / SG 11214	142
SG 11154	102-130
SG 11155	132-160
SG 11156	182-210
Min. wall distance louvres	
89 mm	65
127 mm	85
Vertical Waves 89 mm	115
Vertical Waves 125 mm	140



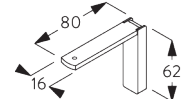
SG 2616
Bracket



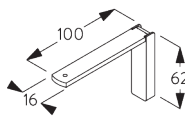
SG 10395
Pan head screw M4x6



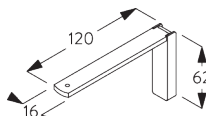
SG 10492
Pan head screw M4x8



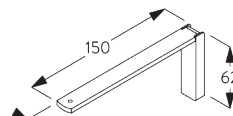
SG 11201
Smart Fix 80 mm



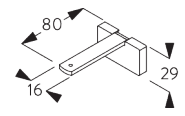
SG 11202
Smart Fix 100 mm



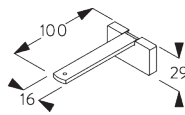
SG 11203
Smart Fix 120 mm



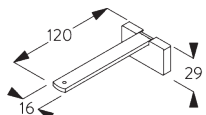
SG 11204
Smart Fix 150 mm



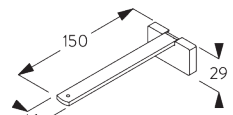
SG 11211
Square Smart Fix 80 mm



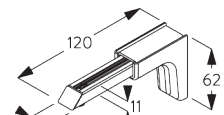
SG 11212
Square Smart Fix 100 mm



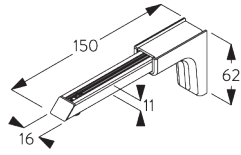
SG 11213
Square Smart Fix 120 mm



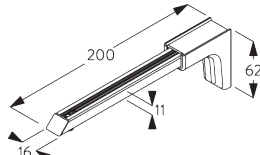
SG 11214
Square Smart Fix 150 mm



SG 11154
Universal Smart Fix 120 mm



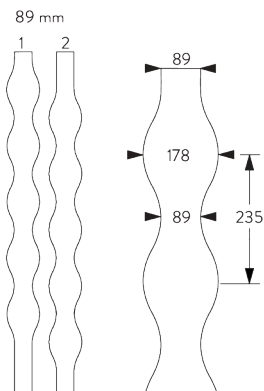
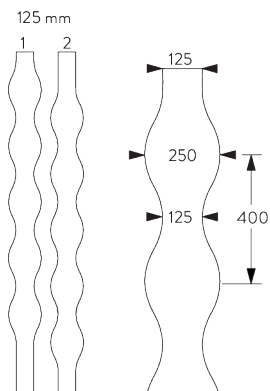
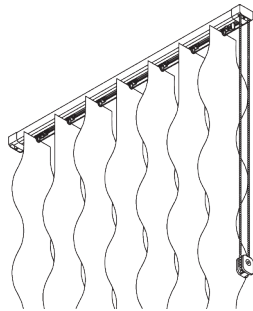
SG 11155
Universal Smart Fix 150 mm



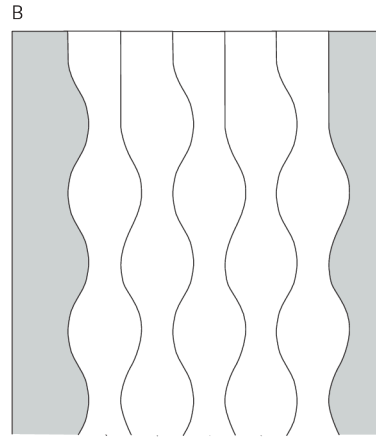
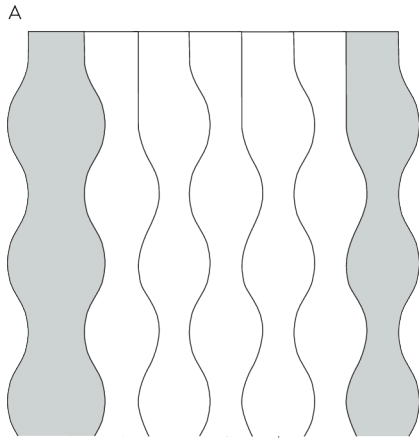
SG 11156
Universal Smart Fix 200 mm

SYSTEM OPTIONS

A. VERTICAL WAVES



3D Vertical Waves only applicable with 125 mm louvers.

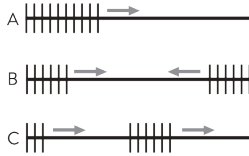


Wall ending

A: Wavy edge

B: Straight edge

**B. STACKING
VARIATIONS**



A: Single stack in one direction

B: Pair stack in two directions symmetrical



C: Pair stack in one direction asymmetrical

D: Pair stack in two directions asymmetrical

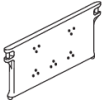

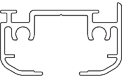
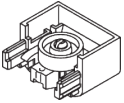
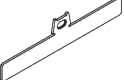
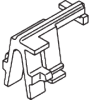
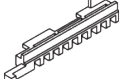
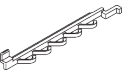

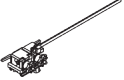


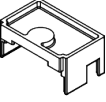





E: Multiple stacking in one direction symmetrical or asymmetrical

F: Centre stack

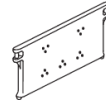



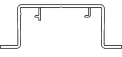
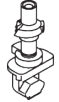

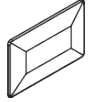
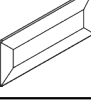
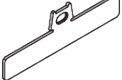
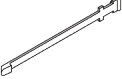

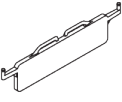
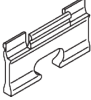
PARTS

A. STANDARD PARTS

	SG 2471 Bottom weight 127 mm
	SG 2479 Bottom link 127 mm
	SG 2601 Profile
	SG 2604 Guide
	SG 2605 Top clip 127 mm
	SG 2610 End stop
	SG 2611 Stopper
	SG 2612 Brake
	SG 2616 Bracket
	SG 2620 Pilot runner
	SG 2623 Rotation element set 127 mm
	SG 2624 Rotation element set 100 mm
	SG 2627 Cover
	SG 2865 Bead chain connector ø 4.6 mm

	SG 2872 Bead chain plastic ø 4.6 mm
	SG 10731 Child safety retainer set

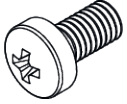
B. OPTIONAL PARTS

	SG 2473 Bottom weight 89 mm
	SG 2481 Bottom link 89 mm
	SG 2608 End stop
	SG 2614 Recess profile
	SG 2615 Recess profile
	SG 2618 Shaft
	SG 2625 Rotation element set 89 mm
	SG 2671 Bottom weight 89 mm
	SG 2672 Bottom weight 127 mm
	SG 2813 Top clip 89 mm
	SG 2821 Spacer 63 mm / 2.5"
	SG 2888 Bottom link 127 mm / 5"
	SG 2892 Bottom weight 127 mm / 5"
	SG 5118 Wedge



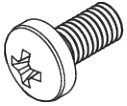
SG 6268

Hanger



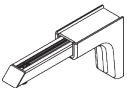
SG 10395

Pan head screw M4x6



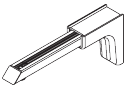
SG 10492

Pan head screw M4x8



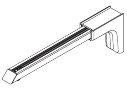
SG 11154

Universal Smart Fix 120 mm



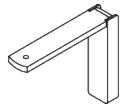
SG 11155

Universal Smart Fix 150 mm



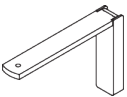
SG 11156

Universal Smart Fix 200 mm



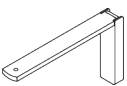
SG 11201

Smart Fix 80 mm



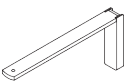
SG 11202

Smart Fix 100 mm



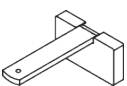
SG 11203

Smart Fix 120 mm



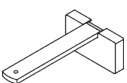
SG 11204

Smart Fix 150 mm



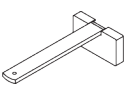
SG 11211

Square Smart Fix 80 mm



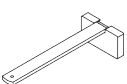
SG 11212

Square Smart Fix 100 mm



SG 11213

Square Smart Fix 120 mm



SG 11214

Square Smart Fix 150 mm

