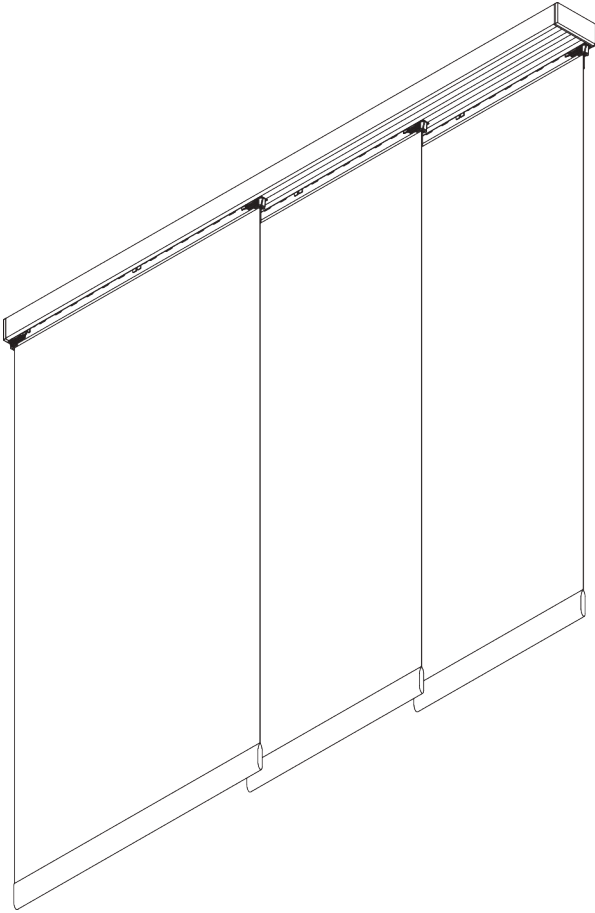


SG 2730



FLEX



PRODUCT INFORMATION

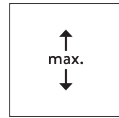
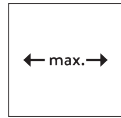
- **Operation:** hand
- **Range:** S - L
- **Fitting:** ceiling, wall
- **Colours:** white RAL 9016, anodised aluminum
- **Fabrics:** refer to Silent Gliss fabric collection

Features:

- 2-component (2C) roller technology
- Silent and smooth running
- Free floating or connected panels
- Bendable

SYSTEM SPECIFICATIONS

A. SYSTEM DIMENSIONS



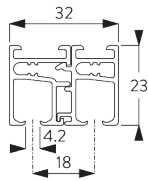
*Panels free floating:
unlimited
Panels connected: 6 m*

3 m

Max. 2 kg per m

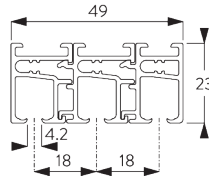
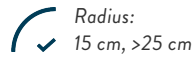
B. PROFILE

Profile and bending information



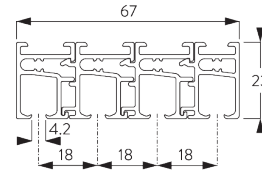
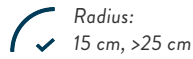
SG 10132

Profile 2-channel



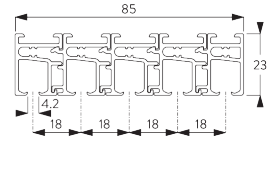
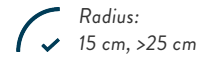
SG 10133

Profile 3-channel



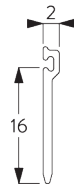
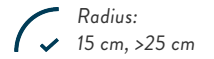
SG 10134

Profile 4-channel



SG 10135

Profile 5-channel



SG 10179

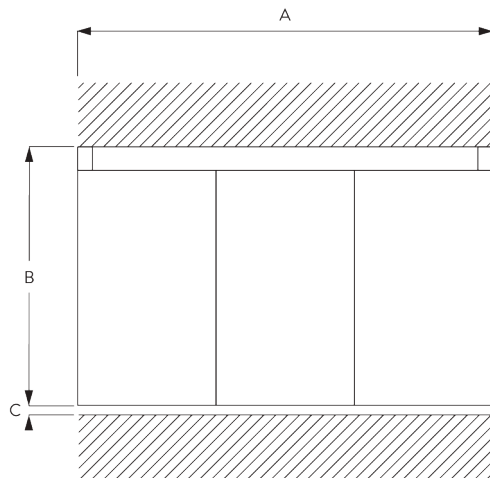
Profile



SG 10180

Carrier flexible

C. HOW TO MEASURE

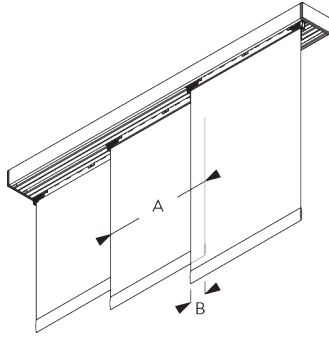


A: System width

B: System height

C: Distance between floor and fabric

Dimensions of Panels



Free floating:

A: Recommended panel width: 500 - 1200

Connected:

A: Recommended panel width: 500 - 1200

B: Overlap: min. 50

D. SPECIFICATION TEXT

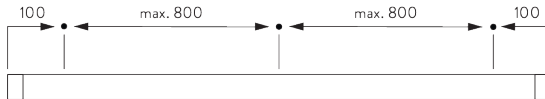
Silent Gliss SG 2730 Flex Panel Glide System. Curved panel glide system supplied made to measure and complete comprising profiles SG 10132 / SG 10133 / SG 10134 / SSG 10135 as necessary with carrier SG 10180 with associated components and flexible lead bottom weight SG 10233. Fabric panels stack right hand single / left hand single / pair / centre. Hand operated with panels unconnected / connected using draw rod SG 10430 / SG 10431 / SG 10432 / SG 10433 / SG 10434. Ceiling fix direct with suitable screw. Wall fix with Smart Fix brackets SG 11206-11208 / Square Smart Fix brackets SG 11216 - 11218 with slot nut SG 10160. Fabric to be chosen from Silent Gliss fabric collection, Price Group 1 / 2 / 3.

FITTING

A. FITTING INFORMATION

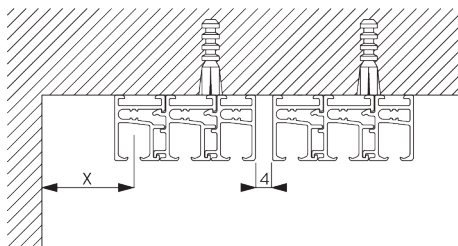
For detailed fitting information, visit the [Silent Gliss website](#).

Fixing points



B. CEILING FITTING

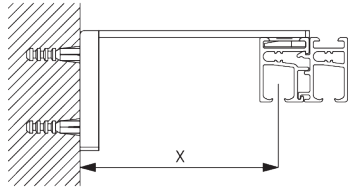
Direct fitting



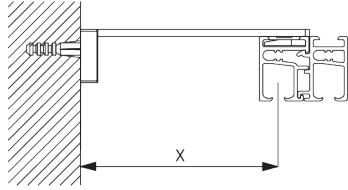
X = depending on room conditions

C. WALL FITTING

Smart Fix

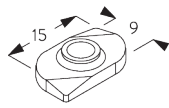


Smart Fix with slot SG 11206 - SG 11208:
Screw SG 10395 (M4x6) needed.



Square Smart Fix with slot SG 11216 - SG 11218:
Screw SG 10395 (M4x6) needed.

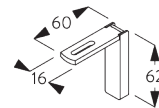
Smart Fix	X mm (SG 10132)	X mm (SG 10133)	X mm (SG 10134)	X mm (SG 10135)
SG 11206 / SG 11216	50	32	-	-
SG 11207 / SG 11217	70	52	34	-
SG 11208 / SG 11218	90	72	44	on request



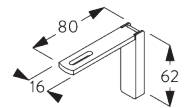
SG 10160
Slot nut



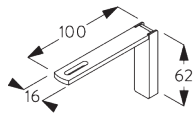
SG 10395
Pan head screw M4x6



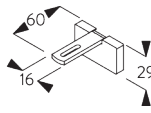
SG 11206
Smart Fix with slot 60 mm



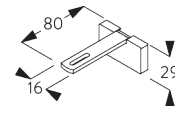
SG 11207
Smart Fix with slot 80 mm



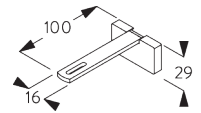
SG 11208
Smart Fix with slot 100 mm



SG 11216
Square Smart Fix with slot 60 mm



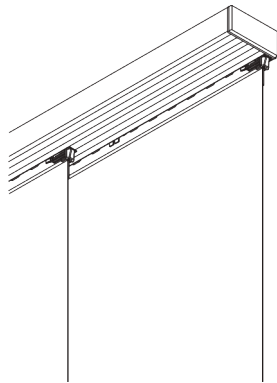
SG 11217
Square Smart Fix with slot 80 mm



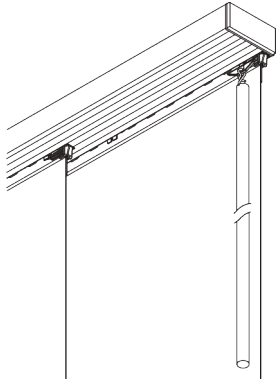
SG 11218
Square Smart Fix with slot 100 mm

SYSTEM OPTIONS

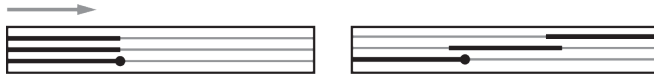
A. OPERATION



Free floating (unconnected panels)



**B. PANEL STACKING
(CONNECTED)**



Single stack

Note: dot = fixed panel



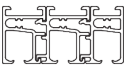


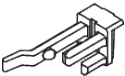
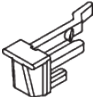


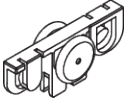
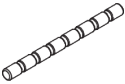

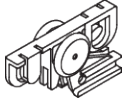

Pair stack

Other variations are possible. Same splitting for curved profiles.

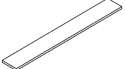
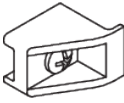
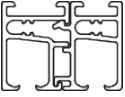



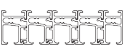

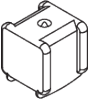
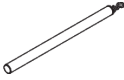
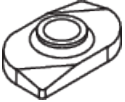


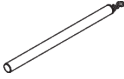

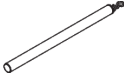

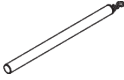

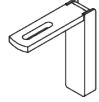
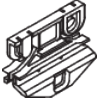
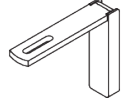

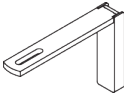
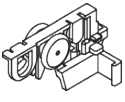
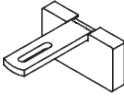
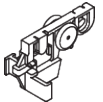
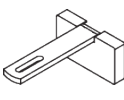
Note: dot = fixed panel

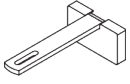
PARTS

A. STANDARD PARTS

	SG 10133 Profile 3-channel
	SG 10159 Countersunk head screw 3.5x13
	SG 10163 End cover
	SG 10167 Clip left
	SG 10168 Clip right
	SG 10179 Profile
	SG 10180 Carrier flexible
	SG 10200 2C roller
	SG 10233 Lead weight 100 gr/m
	SG 10234 Fabric weight glass
	SG 10237 Clip holder
	SG 10248 Screw Pozi 4.5x70 mm SPAX

B. OPTIONAL PARTS

	SG 10076 Fabric weight		SG 10243 Angle
	SG 10132 Profile 2-channel		SG 10244 Slider
	SG 10134 Profile 4-channel		SG 10281 Hexagon socket head cap screw M4x6
	SG 10135 Profile 5-channel		SG 10395 Pan head screw M4x6
	SG 10156 End stop		SG 10430 Draw rod 50 cm
	SG 10160 Slot nut		SG 10431 Draw rod 75 cm
	SG 10162 End cover		SG 10432 Draw rod 100 cm
	SG 10164 End cover		SG 10433 Draw rod 125 cm
	SG 10165 End cover		SG 10434 Draw rod 150 cm
	SG 10177 Connection bridge		SG 11206 Smart Fix with slot 60 mm
	SG 10196 Eyelet for draw rod		SG 11207 Smart Fix with slot 80 mm
	SG 10235 Sticker for screw head		SG 11208 Smart Fix with slot 100 mm
	SG 10239 Angle left		SG 11216 Square Smart Fix with slot 60 mm
	SG 10241 Angle right		SG 11217 Square Smart Fix with slot 80 mm



SG 11218

Square Smart Fix with slot 100 mm
