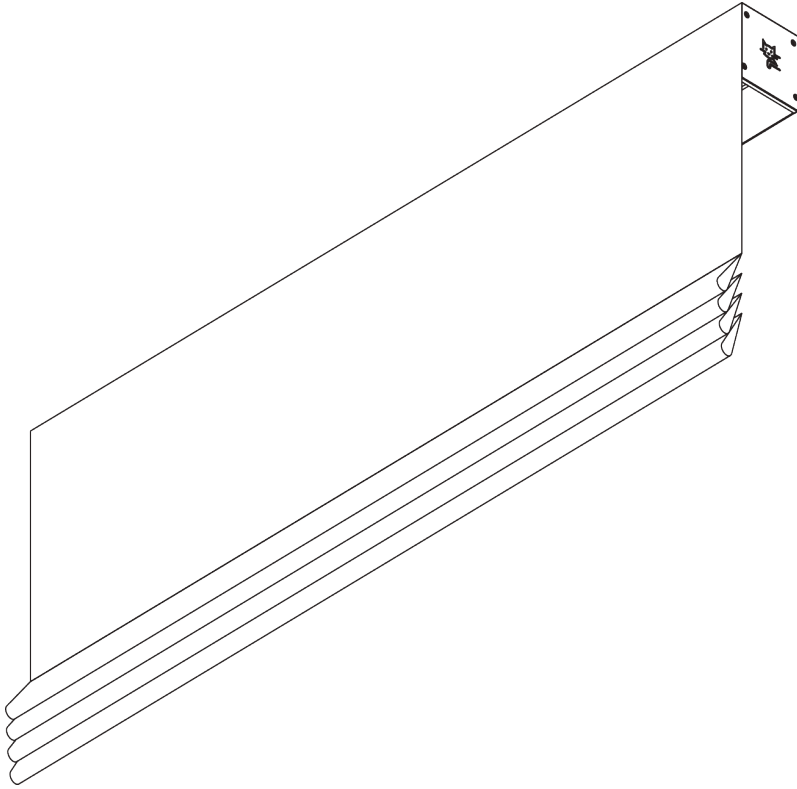
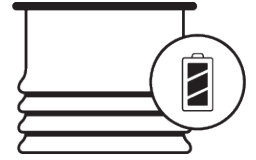


# SG 2355

---



## PRODUCT INFORMATION

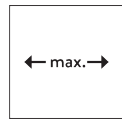
- **Operation:** motorised
- **Range:** S - M
- **Fitting:** ceiling, wall
- **Colours:** white RAL 9016, black 9005
- **Fabrics:** refer to Silent Gliss fabric collection

### **Features:**

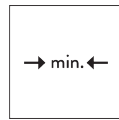
- Quiet motors
- Soft stop
- Various control options
- Enclosed headrail
- Fascia included

# SYSTEM SPECIFICATIONS

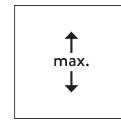
## A. SYSTEM DIMENSIONS



3 m



65 cm



3 m



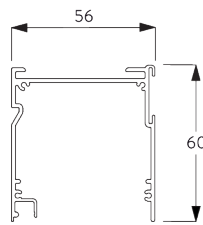
9 m<sup>2</sup>



4 kg

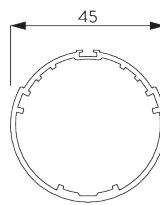
## B. PROFILE

### Profile information



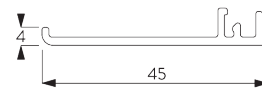
**SG 2371**

Head box



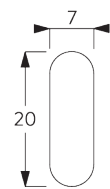
**SG 2372**

Tube ø 45 mm



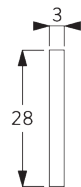
**SG 11434**

Box cover



**SG 2004**

Bottom bar 20x7 mm



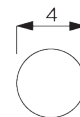
**SG 2006**

Bottom bar 28x3 mm



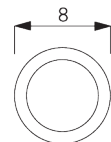
**SG 2135**

Rod steel ø 3 mm



**SG 2137**

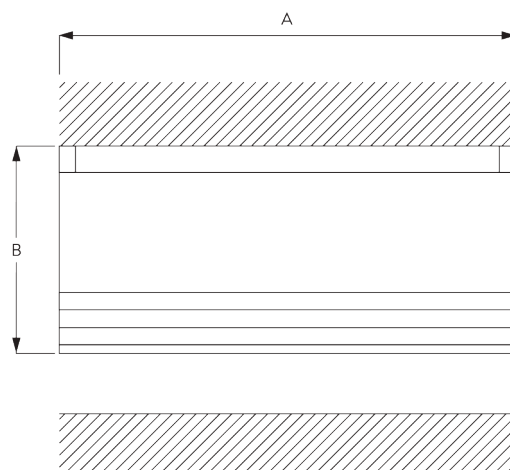
Rod fiberglass ø 4 mm



**SG 2144**

Profile ø 8 mm

## C. HOW TO MEASURE



A: System width  
B: System height

## D. SPECIFICATION

### TEXT

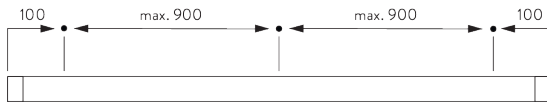
**Silent Gliss SG 2355 Motorised Roman Blind System with battery motor.** Roman blind system for medium to large size blind applications 3m wide/3m drop/10Kg. Supplied made to measure comprising aluminium head box SG 2371, winding tube SG 2372, end covers SG 2373/4 and fascia SG 11434 Fix to ceiling with ceiling [SG 3003 and/or bracket 2521]. Fix to wall with brackets [Smart Fix SG 11200 - 11204 / Square smart fix brackets SG 11210 – SG 11214 / Universal Smart Fix SG 11154 – SG 11156]. Visible metal hardware powder coated in [white RAL 9016 / black RAL 9005]. Integral rechargeable battery motor SG 11926 with USB C charging port positioned [left / right] side. Operation by [Silent Gliss Control N radio handsets and switches / Move4.0 Server/App]. Control components are supplied at additional cost. If supplied with made up blind from The Collection by Silent Gliss it includes child safe breakaway components for [hard/semi-hard fold: SG 3164 bottom bar set + SG 3069 rod cover / soft fold: SG 3165 + 3166 ring]. Fabric to be attached to headrail profile using loop tape. Compliant to Child Safety Legislation EN 13120. All wiring to be strictly in accordance with Silent Gliss wiring diagrams. Fabric to be chosen from The Collection by Silent Gliss, Price Group [1 / 2 / 3].

# FITTING

## A. FITTING INFORMATION

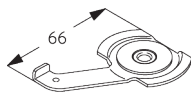
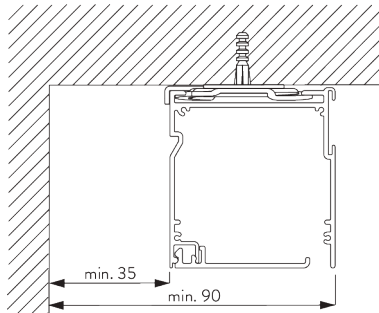
For detailed fitting information, visit the [Silent Gliss website](#).

### Fixing points



## B. CEILING FITTING

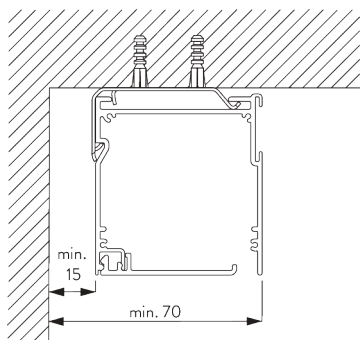
### Clamp SG 3003

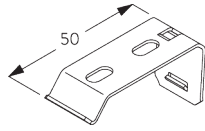


#### SG 3003

Clamp

### Bracket SG 2521

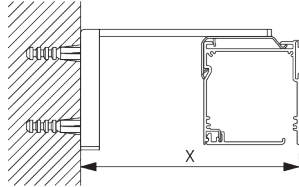




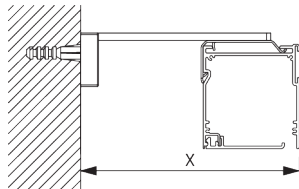
**SG 2521**  
Bracket

## C. WALL FITTING

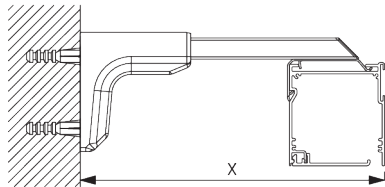
### Smart Fix



**Smart Fix SG 11200 - SG 11204 and bracket SG 2521:**  
Screw SG 10395 (M4x6) needed.

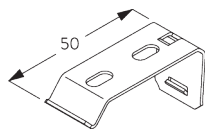


**Square Smart Fix SG 11210 - SG 11214 and bracket SG 2521:**  
Screw SG 10395 (M4x6) needed.



**Universal Smart Fix SG 11154 - SG 11156 and bracket SG 2521:**  
Screw SG 10492 (M4x8) needed.

| Smart Fix           | X mm    |
|---------------------|---------|
| SG 11200 / SG 11210 | 80-84   |
| SG 11201 / SG 11211 | 100-104 |
| SG 11202 / SG 11212 | 120-124 |
| SG 11203 / SG 11213 | 140-144 |
| SG 11204 / SG 11214 | 170-174 |
| SG 11154            | 134-162 |
| SG 11155            | 164-192 |
| SG 11156            | 214-242 |



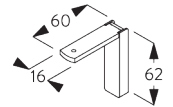
**SG 2521**  
Bracket



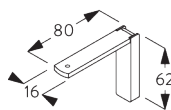
**SG 10395**  
Pan head screw M4x6



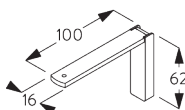
**SG 10492**  
Pan head screw M4x8



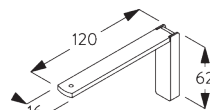
**SG 11200**  
Smart Fix 60 mm



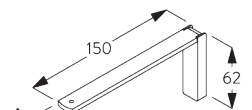
**SG 11201**  
Smart Fix 80 mm



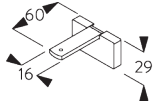
**SG 11202**  
Smart Fix 100 mm



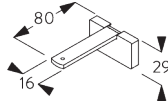
**SG 11203**  
Smart Fix 120 mm



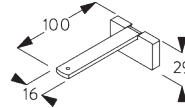
**SG 11204**  
Smart Fix 150 mm



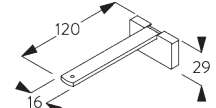
**SG 11210**  
Square Smart Fix 60 mm



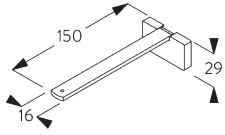
**SG 11211**  
Square Smart Fix 80 mm



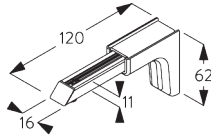
**SG 11212**  
Square Smart Fix 100 mm



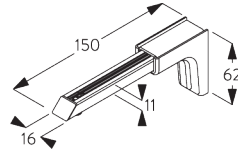
**SG 11213**  
Square Smart Fix 120 mm



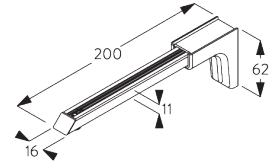
**SG 11214**  
Square Smart Fix 150 mm



**SG 11154**  
Universal Smart Fix 120 mm

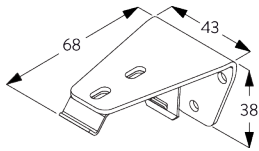
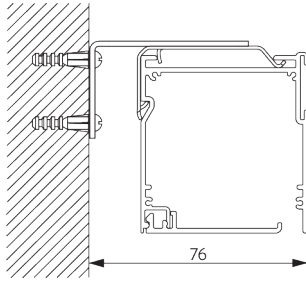


**SG 11155**  
Universal Smart Fix 150 mm



**SG 11156**  
Universal Smart Fix 200 mm

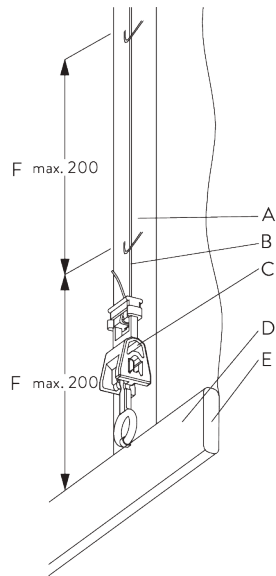
**Bracket SG 2363**



**SG 2363**  
Bracket 68 mm

# SYSTEM OPTIONS

## A. FABRIC MAKE-UP



### **Type A (Standard)**

Loop tape SG 3074:

A: Loop tape SG 3074 / SG 2164

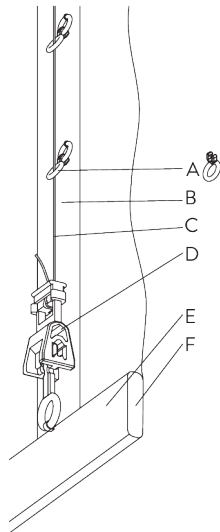
B: Cord SG 2216

C: Child safety hook set SG 3164

D: Hollow hem

E: Bottom bar SG 2004

F: Child safety: max. distance 200 mm



### **Type B**

Ring tape SG 2164:

A: Child safety eyelet soft fold SG 3078

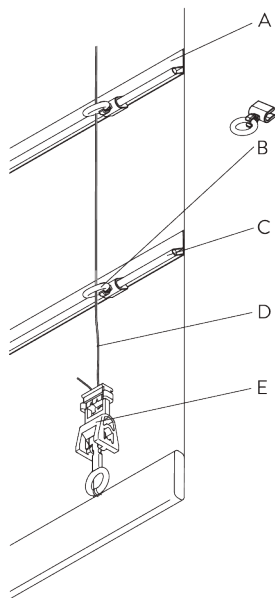
B: Ring tape SG 2164

C: Cord SG 2216

D: Child safety hook set SG 3164

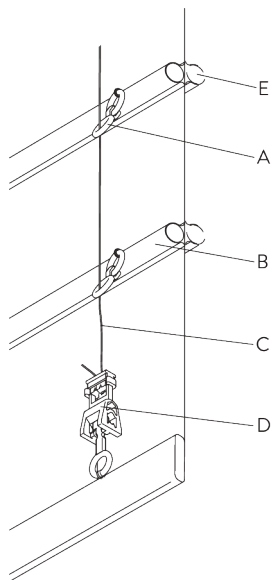
E: Hollow hem

F: Bottom bar SG 2004



### **Type C**

- A: Tape SG 2136
- B: Child safety eyelet hard fold SG 3069
- C: Rod SG 2135
- D: Cord SG 2216
- E: Child safety hook set SG 3164



### **Type D**

- A: Child safety eyelet set SG 3161 / SG 3165
- B: Tube SG 2144
- C: Cord SG 2216
- D: Child safety hook set SG 3164
- E: Option: tube SG 2144 / SG 2137 can be installed to room side

# MOTORS & CONTROLS

## A. MOTOR FEATURES

|       |          |
|-------|----------|
| Motor | SG 11926 |
|-------|----------|

### Motor Features

|                                                      |       |
|------------------------------------------------------|-------|
| Soft start / stop                                    | ●     |
| Built-in receiver                                    | ●     |
| Electronic end-stop                                  | ●     |
| Electronic revolution counter (unlimited revolution) | ●     |
| IP class                                             | IP 30 |

### Control Features

|                                  |   |
|----------------------------------|---|
| SG Control N (built-in receiver) | ● |
|----------------------------------|---|

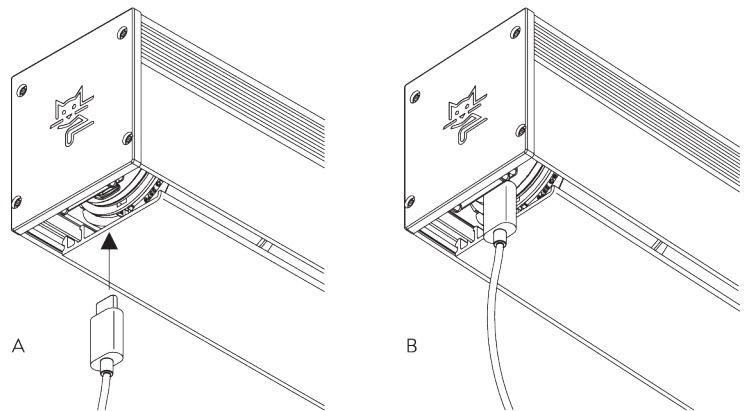
## B. MOTOR SPECIFICATIONS

| Motor    | Min. system width | Charging | Speed  | Frequency receiver |
|----------|-------------------|----------|--------|--------------------|
| SG 11926 | 65 cm             | USB-C    | 28 rpm | 433 MHz            |

## Battery charging

A: Plug-in USB-C cable

B: Battery fully charged when light is green



## C. OPERATING METHODS

See catalogue "controls" for details.

## SG Control N





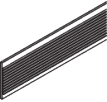
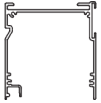

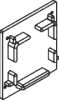





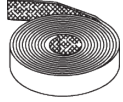
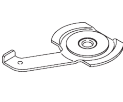
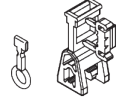
Various radio hand-held and wall transmitters available.


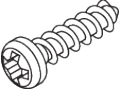
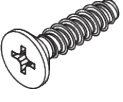
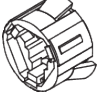




*Silent Gliss Move App.*



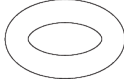
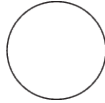
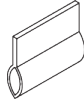
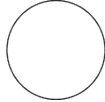
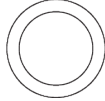
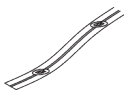

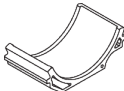

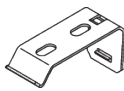
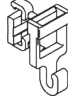

# PARTS

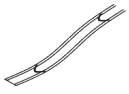
## A. STANDARD PARTS

|                                                                                     |                                                    |
|-------------------------------------------------------------------------------------|----------------------------------------------------|
|    | <b>SG 2004</b><br>Bottom bar 20x7 mm               |
|    | <b>SG 2216</b><br>Cord $\varnothing$ 0.85 mm       |
|    | <b>SG 2221</b><br>Velcro tape                      |
|    | <b>SG 2371</b><br>Head box                         |
|    | <b>SG 2372</b><br>Tube $\varnothing$ 45 mm         |
|   | <b>SG 2373</b><br>End cover                        |
|  | <b>SG 2374</b><br>End cover                        |
|  | <b>SG 2375</b><br>Tube adapter $\varnothing$ 43 mm |
|  | <b>SG 2376</b><br>Shell                            |
|  | <b>SG 2377</b><br>Pin                              |
|  | <b>SG 2381</b><br>Motor plate                      |
|  | <b>SG 2539</b><br>Tape                             |
|  | <b>SG 3003</b><br>Clamp                            |
|  | <b>SG 3164</b><br>Child safety hook set            |

|                                                                                    |                                                      |
|------------------------------------------------------------------------------------|------------------------------------------------------|
|   | <b>SG 10621</b><br>Tube adapter                      |
|   | <b>SG 11185</b><br>Pan head screw 2.2x9.5 DIN 7981 C |
|   | <b>SG 11324</b><br>PT Screw Countersunk KA35x14      |
|   | <b>SG 11356</b><br>Motor drive 40/50-Series          |
|   | <b>SG 11434</b><br>Box cover                         |
|  | <b>SG 11926</b><br>Motor Battery S 2/28              |

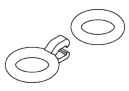
## B. OPTIONAL PARTS

|                                                                                       |                                                     |
|---------------------------------------------------------------------------------------|-----------------------------------------------------|
|    | <b>SG 2006</b><br>Bottom bar 28x3 mm                |
|    | <b>SG 2091</b><br>End cover                         |
|    | <b>SG 2093</b><br>Ring                              |
|    | <b>SG 2135</b><br>Rod steel $\varnothing$ 3 mm      |
|    | <b>SG 2136</b><br>Rod tape                          |
|   | <b>SG 2137</b><br>Rod fiberglass $\varnothing$ 4 mm |
|  | <b>SG 2144</b><br>Profile $\varnothing$ 8 mm        |
|  | <b>SG 2164</b><br>Ring tape                         |
|  | <b>SG 2363</b><br>Bracket 68 mm                     |
|  | <b>SG 2378</b><br>Support                           |
|  | <b>SG 2379</b><br>Sleeve                            |
|  | <b>SG 2521</b><br>Bracket                           |
|  | <b>SG 3055</b><br>Hook                              |
|  | <b>SG 3069</b><br>Child safety eyelet               |



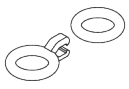
**SG 3074**

Loop tape



**SG 3161**

Child safety eyelet set



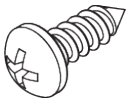
**SG 3165**

Child safety eyelet set



**SG 3166**

Child safety tape set



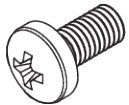
**SG 10149**

Pan head screw 2.2x6.5



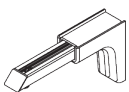
**SG 10395**

Pan head screw M4x6



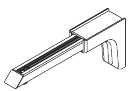
**SG 10492**

Pan head screw M4x8



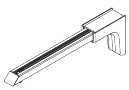
**SG 11154**

Universal Smart Fix 120 mm



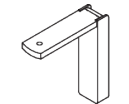
**SG 11155**

Universal Smart Fix 150 mm



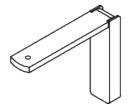
**SG 11156**

Universal Smart Fix 200 mm



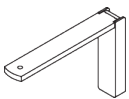
**SG 11200**

Smart Fix 60 mm



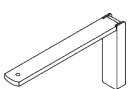
**SG 11201**

Smart Fix 80 mm



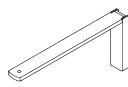
**SG 11202**

Smart Fix 100 mm



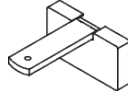
**SG 11203**

Smart Fix 120 mm



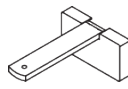
**SG 11204**

Smart Fix 150 mm



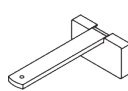
**SG 11210**

Square Smart Fix 60 mm



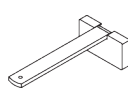
**SG 11211**

Square Smart Fix 80 mm



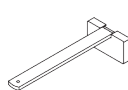
**SG 11212**

Square Smart Fix 100 mm



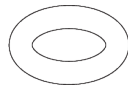
**SG 11213**

Square Smart Fix 120 mm



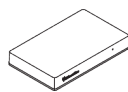
**SG 11214**

Square Smart Fix 150 mm



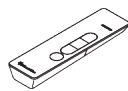
**SG 11482**

Ring



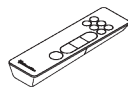
**SG 11900**

Move Server



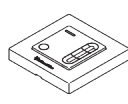
**SG 11931**

Radio hand held 1 channel



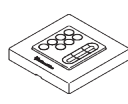
**SG 11932**

Radio hand held 6 channel



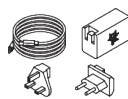
**SG 11936**

Radio wall transmitter 1 channel



**SG 11937**

Radio wall transmitter 6 channel



**SG 11951**

Charger USB-C

