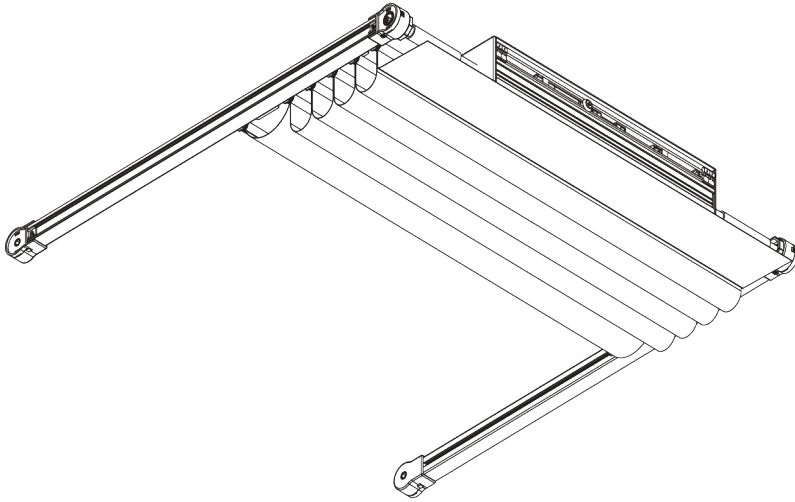


# SG 2195

---



## PRODUCT INFORMATION

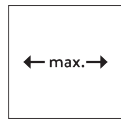
- **Operation:** motorised
- **Range:** S - L
- **Fitting:** ceiling, wall
- **Colours:** white RAL 9016 or anodised aluminum, special colours possible
- **Fabrics:** refer to Silent Gliss fabric collection

### **Features:**

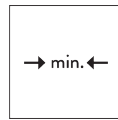
- Bendable
- Sloping
- Cantilever
- Special shapes
- Three connected systems
- Various control options

# SYSTEM SPECIFICATIONS

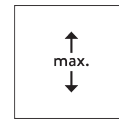
## A. SYSTEM DIMENSIONS



3 m  
(plus 0.8 m each side for cantilever)



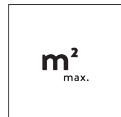
60 cm



6 m



25 kg



18 m<sup>2</sup>

## Max. system sizes and weights - straight systems

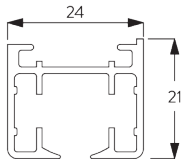
| SG 2195                               |  | A (m)           |                 | B (m)  |          | kg <sub>max.</sub> | m <sup>2</sup> <sub>max.</sub> |
|---------------------------------------|--|-----------------|-----------------|--------|----------|--------------------|--------------------------------|
|                                       |  | Type 1          | Type 2/3        | Type 1 | Type 2/3 | Type 1/2/3         | Type 1/2/3                     |
|                                       |  | 2.5             | 3               | 6      | 6        | 18                 | 18                             |
|                                       |  | 2 / 2           | 2 / 2           | 6      | 6        | 18                 | 24                             |
|                                       |  | 1.2 / 1.2 / 1.2 | 1.2 / 1.2 / 1.2 | 5      | 5        | 18                 | 18                             |
| <br>$\triangle \text{max. } 45^\circ$ |  | 2.5             | 3               | 6      | 6        | 25                 | 18                             |
|                                       |  | 2.5 / 2.5       | 2.5 / 2.5       | 6      | 6        | 25                 | 30                             |
|                                       |  | 2 / 2 / 2       | 2 / 2 / 2       | 6      | 6        | 25                 | 36                             |
|                                       |  | 2.5             | 3               | 6      | 6        | 25                 | 18                             |
|                                       |  | 2.5 / 2.5       | 2.5 / 2.5       | 6      | 6        | 25                 | 30                             |
|                                       |  | 2 / 2 / 2       | 2 / 2 / 2       | 6      | 6        | 25                 | 36                             |

## Bent systems

| SG 2195 | A (m)           |                 | B (m)  |          | kg <sub>max</sub> | m' <sub>max</sub> |
|---------|-----------------|-----------------|--------|----------|-------------------|-------------------|
|         | Type 1          | Type 2/3        | Type 1 | Type 2/3 |                   |                   |
|         |                 | 2.5             | 2.5    | 6        | 6                 | 18                |
|         | 2 / 2           | 2 / 2           | 6      | 6        | 18                | 24                |
|         | 1.2 / 1.2 / 1.2 | 1.2 / 1.2 / 1.2 | 6      | 6        | 18                | 21.6              |
|         | 2.5             | 2.5             | 6      | 6        | 18                | 15                |
|         | 1.5 / 1.5       | 1.5 / 1.5       | 5      | 5        | 18                | 15                |
|         | 0.8 / 0.8 / 0.8 | 0.8 / 0.8 / 0.8 | 5      | 5        | 18                | 12                |
|         | 2.5             | 2.5             | 4      | 4        | 15                | 10                |
|         | 1.5 / 1.5       | 1.5 / 1.5       | 4      | 4        | 15                | 12                |
|         | 0.8 / 0.8 / 0.8 | 0.8 / 0.8 / 0.8 | 3      | 3        | 15                | 7.2               |

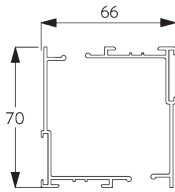
## B. PROFILE

### Profile and bending information

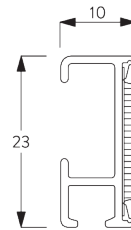


**SG 2191**  
Profile

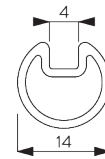
Radius:  
✓ >25 cm



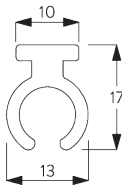
**SG 2151**  
Profile



**SG 2116**  
Velcro profile



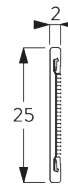
**SG 2156**  
Shaft



**SG 2231**  
Profile



**SG 2246**  
Rod PVC ø 5 mm

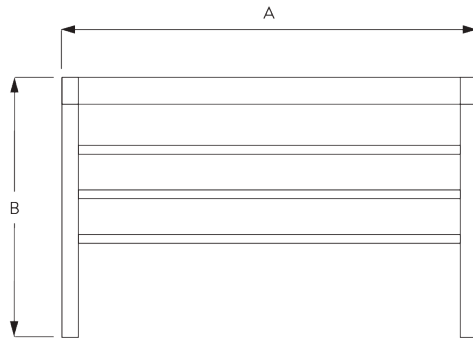


**SG 2510**  
Velcro profile

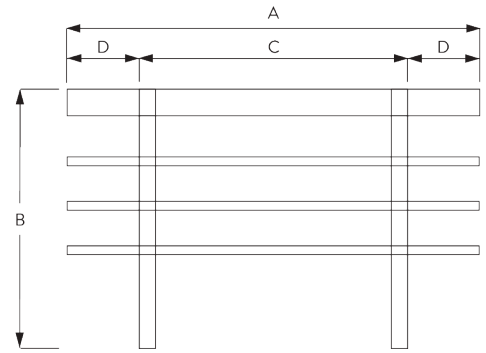


**SG 2759**  
Profile

## C. HOW TO MEASURE



A: System width  
B: System height



A: System width  
B: System height  
C: Base system  
D: Cantilever max. 80 cm

## D. SPECIFICATION TEXT

**Silent Gliss SG 2195 Motorised Skylight System:** inside recess non-cantilever. Supplied made to measure comprising aluminium headbox SG 2151 with enclosed motor SG 2160, drive shaft SG 2156, clamps SG 3004, aluminium side guide profiles SG 2191 in [silver / white / bronze / black], glider SG 2145, [cross rod SG 2759 / heavy duty cross rod SG 2248], Velcro profile SG 2116, connector SG 2242, top fix bracket SG 3603. Side fixed with SG 3825 clamps at 30cm centres. Optional fixing brackets [SG 3065B / SG 3066A / SG3066B]. [Single / double / triple] system operated from one motor. Controlled by [fixed switch / third party control system / SG Control R with external receiver / SG Control N]. All radio control components supplied at additional cost. All wiring to be strictly in accordance with Silent Gliss wiring diagrams. Fabric to be chosen from the Silent Gliss fabric range.

**Silent Gliss SG 2195 Motorised Skylight System:** inside recess cantilever (single system only). Supplied made to measure comprising aluminium headbox SG 2151 with enclosed motor SG 2160, drive shaft SG 2156, clamps SG 3004, Velcro profile SG 2116, connector SG 2242, top fix bracket SG 3603, side guide profiles SG 2191 in [silver / white / bronze / black]. Cantilever parts: cross profile glider SG 2235, cross profile glider SG 2236, profile SG 2231 including profile SG 2248, end cover SG 2243. Side fixed with SG 3825 clamps at 30cm centres. Optional fixing brackets [SG 3065B / SG 3066A / SG3066B]. Single system operated by one motor. Controlled by [fixed switch / third party control system / SG Control R with external receiver / SG Control N]. All radio control components supplied at additional cost. All wiring to be strictly in accordance with Silent Gliss wiring diagrams. Fabric to be chosen from the Silent Gliss fabric range.

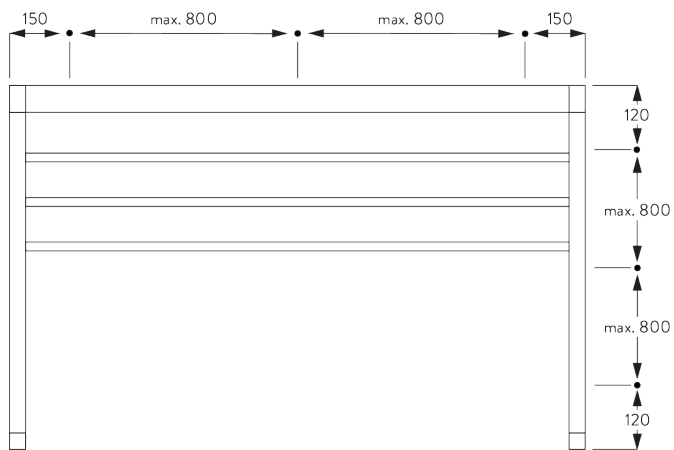
**Silent Gliss SG 2195 Motorised Skylight System:** inside recess cantilever overhang (single system only). Supplied made to measure comprising aluminium headbox SG 2151 with enclosed motor SG 2160, drive shaft SG 2156, clamps SG 3004, aluminium side guide profiles SG 2191 in [silver / white / bronze / black], Velcro profile SG 2116, connector SG 2242, top fix bracket SG 3603. Cantilever parts: cross profile glider SG 2235, cross profile glider SG 2236, profile SG 2231 including profile SG 2246, end cover SG 2243. Side fixed with SG 3825 clamps at 30cm centres. Optional fixing brackets [SG 3065B / SG 3066A / SG3066B]. Single system operated by one motor. Controlled by [fixed switch / third party control system / SG Control R with external receiver / SG Control N]. All radio control components supplied at additional cost. All wiring to be strictly in accordance with Silent Gliss wiring diagrams. Fabric to be chosen from the Silent Gliss fabric range.

# FITTING

## A. FITTING INFORMATION

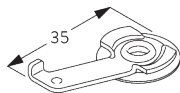
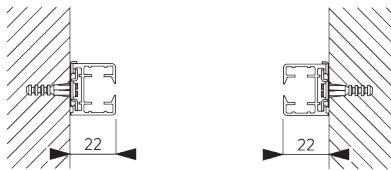
For detailed fitting information, visit the [Silent Gliss website](https://www.silentgliss.com).

## Fixing points



## B. INSIDE FITTING

### Clamp SG 3825

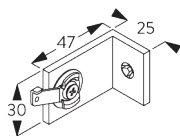
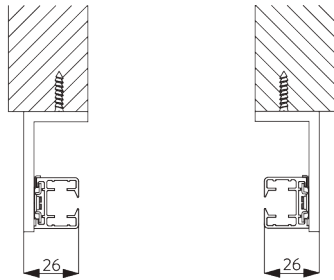


**SG 3825**

*Clamp*

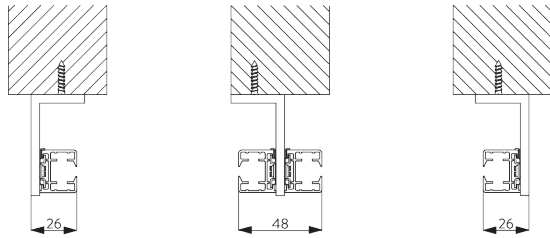
## C. FACE FITTING

### Bracket SG 3181

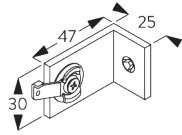


**SG 3181**

*Bracket with 1 clamp*



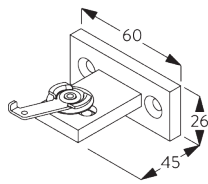
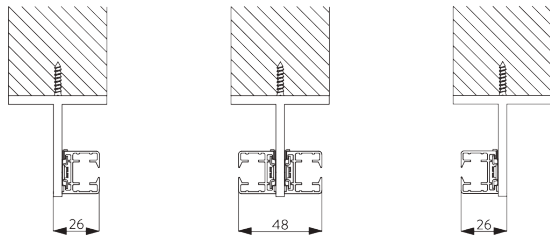
Double system



**SG 3181**

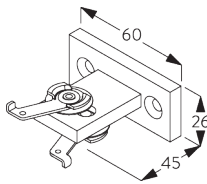
Bracket with 1 clamp

**T-Bracket SG 2138 / SG 2139**



**SG 2138**

T-bracket 1 clamp

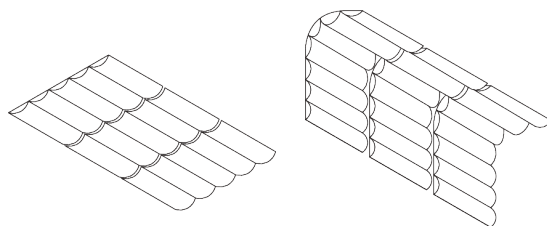


**SG 2139**

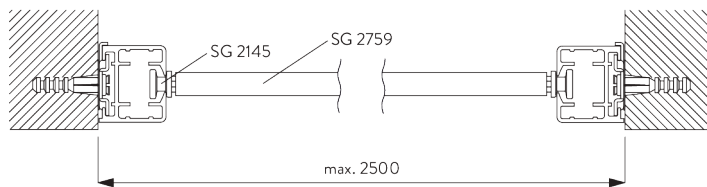
T-bracket 2 clamps

# SYSTEM OPTIONS

**A. TWO OR THREE  
CONNECTED  
SYSTEMS**

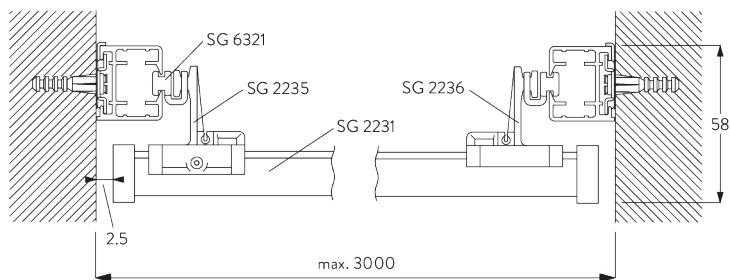


## B. INSTALLATION OPTIONS



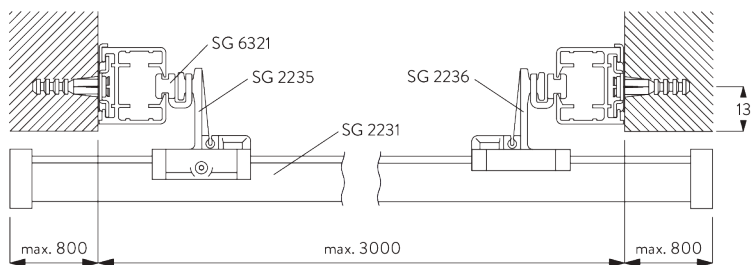
### Type 1

- SG 2145: Glider
- SG 2759: Profile



### Type 2 (Profiles covered)

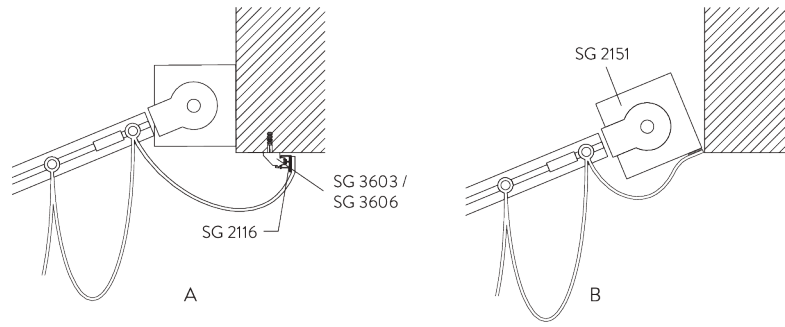
- SG 2231: Profile
- SG 2235: Glider with screw
- SG 2236: Glider without screw
- SG 6321: Glider



### Type 3 (Cantilever version to cover side profiles)

- SG 2231: Profile
- SG 2235: Glider with screw
- SG 2236: Glider without screw
- SG 6321: Glider

## C. FABRIC FIXING



A: Fixing of fabric with profile SG 2116 (standard)

B: Fixing of fabric directly on headrail cassette

# MOTOR & CONTROLS

## A. MOTOR FEATURES

| Motors  | SG 2160 | SG 11328 |
|---|---------|----------|
| <b>Motor Features</b>   |         |          |
| Mechanical end-stop   | ●       | ●        |
| Mechanical revolution counter (limited revolution)                        | ●       | ●        |
| Noiseless stop  | ●       | ●        |
| IP class  | IP 44   | IP 44    |
| <b>Control Features</b>   |         |          |
| Mains power control   | ●       | ●        |
| SG Control N (external receiver required)                                 | ●       | ●        |
| SG Control R (external receiver required)                                 | ●       | ●        |
| Suitable for most major home automation systems (with suitable interface) | ●       | ●        |

## B. MOTOR SPECIFICATIONS

| Motors   | Voltage  | Current | Frequency | Speed  |
|----------|----------|---------|-----------|--------|
| SG 2160  | 230 V AC | 0.5 A   | 50 Hz     | 26 rpm |
| SG 11328 | 120 V AC | 1.3 A   | 60 Hz     | 30 rpm |

## C. OPERATING METHODS

See catalogue "controls" for details.

### Wall Switch



System can be operated by fixed wall switch.

**SG Control N**



*Various radio hand-held and wall transmitters available.  
An external receiver is required.*



*Silent Gliss Move App.*

**SG Control R**



*Various radio hand-held and wall transmitters available.  
An external receiver is required.*

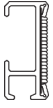
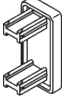
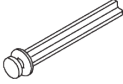

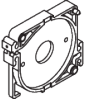
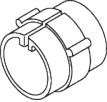


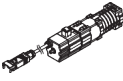
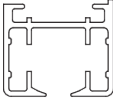
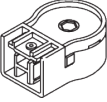
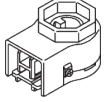
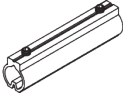
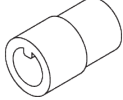
**D. WIRING**  
**DIAGRAMS**

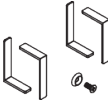

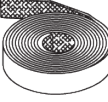
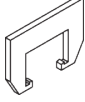
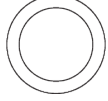

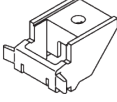

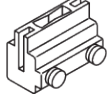
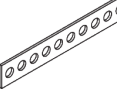

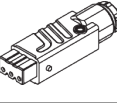


*Refer to Silent Gliss website.*

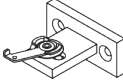
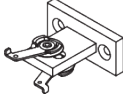

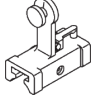
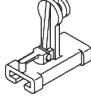
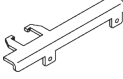
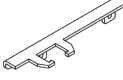
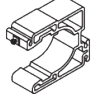
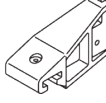

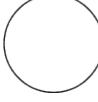
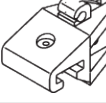
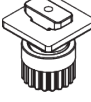

# PARTS

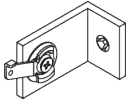
## A. STANDARD PARTS

|   |  |
|---|--|
|    | <b>SG 2116</b><br>Velcro profile               |
|    | <b>SG 2131</b><br>End cover                    |
|    | <b>SG 2145</b><br>Glider                       |
|    | <b>SG 2151</b><br>Profile                      |
|    | <b>SG 2152</b><br>Bearing shell                |
|   | <b>SG 2153</b><br>Pulley                       |
|  | <b>SG 2154</b><br>End cover                    |
|  | <b>SG 2156</b><br>Shaft                        |
|  | <b>SG 2160</b><br>Motor 230V AC, JA 06/26 soft |
|  | <b>SG 2191</b><br>Profile                      |
|  | <b>SG 2193</b><br>Guide return                 |
|  | <b>SG 2230</b><br>Drive                        |
|  | <b>SG 2242</b><br>Connector                    |
|  | <b>SG 2245</b><br>Shaft connector              |

|   |  |
|---|--|
|    | <b>SG 2247</b><br>Set Elero 230V                             |
|    | <b>SG 2248</b><br>Profile                                    |
|    | <b>SG 2539</b><br>Tape                                       |
|    | <b>SG 2613</b><br>Connector                                  |
|    | <b>SG 2759</b><br>Profile                                    |
|   | <b>SG 3004</b><br>Clamp                                      |
|  | <b>SG 3603</b><br>Bracket                                    |
|  | <b>SG 3825</b><br>Clamp                                      |
|  | <b>SG 5005</b><br>Belt connector                             |
|  | <b>SG 5130</b><br>Driving belt                               |
|  | <b>SG 6086</b><br>Spring stop                                |
|  | <b>SG 9917</b><br>Hirschmann portable socket-outlet STAK 3 N |

## B. OPTIONAL PARTS

|   |  |
|---|--|
|    | <b>SG 2138</b><br>T-bracket 1 clamp    |
|    | <b>SG 2139</b><br>T-bracket 2 clamps   |
|    | <b>SG 2231</b><br>Profile              |
|    | <b>SG 2235</b><br>Cross glider         |
|    | <b>SG 2236</b><br>Cross profile glider |
|   | <b>SG 2237</b><br>Overlap arm right    |
|  | <b>SG 2238</b><br>Overlap arm left     |
|  | <b>SG 2239</b><br>Guide                |
|  | <b>SG 2241</b><br>Halter               |
|  | <b>SG 2243</b><br>End cover            |
|  | <b>SG 2246</b><br>Rod PVC ø 5 mm       |
|  | <b>SG 2249</b><br>Holder               |
|  | <b>SG 2255</b><br>Brake                |
|  | <b>SG 2510</b><br>Velcro profile       |



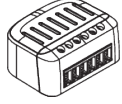
**SG 3181**  
Bracket with 1 clamp



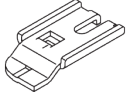
**SG 11937**  
Radio wall transmitter 6 channel



**SG 3606**  
Clip



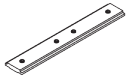
**SG 11938**  
Radio receiver BiDi Shutter



**SG 3832**  
Bracket



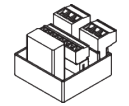
**SG 20336**  
Hand held transmitter 8 channel



**SG 5115**  
Connection bridge



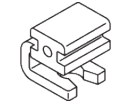
**SG 20913**  
Wall switch single channel



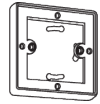
**SG 5736**  
Relay socket



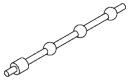
**SG 20914**  
Wall switch 8 channel



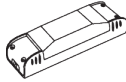
**SG 6321**  
Glider



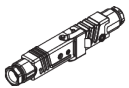
**SG 20917**  
Pattress box



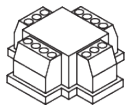
**SG 6322**  
Distance cord



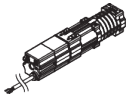
**SG 20919**  
Control module motor type R



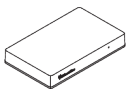
**SG 9916**  
Hirschmann plug set



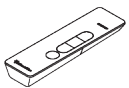
**SG 9959**  
Central control unit relay



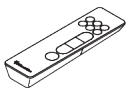
**SG 11328**  
Motor 120V AC, JA 08/30 soft, UL



**SG 11900**  
Move Server



**SG 11931**  
Radio hand held 1 channel



**SG 11932**  
Radio hand held 6 channel



**SG 11936**  
Radio wall transmitter 1 channel

