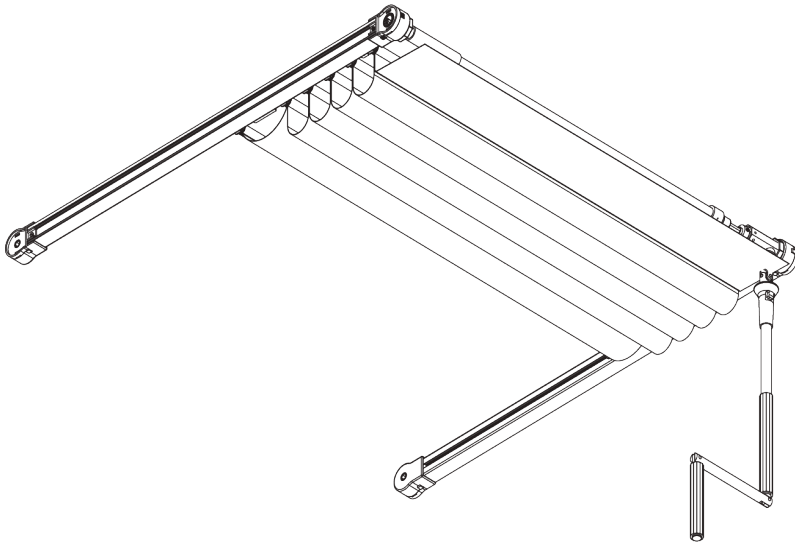


SG 2190



PRODUCT INFORMATION

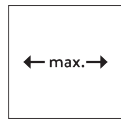
- **Operation:** crank
- **Range:** S - M
- **Fitting:** ceiling, wall
- **Colours:** white RAL 9016 or anodised aluminum, special colours possible
- **Fabrics:** refer to Silent Gliss fabric collection

Features:

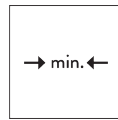
- Bendable
- Sloping
- Cantilever
- Special shapes
- Two connected systems

SYSTEM SPECIFICATIONS

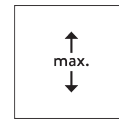
A. SYSTEM DIMENSIONS



2.5 m
(plus 0.8 m each side for cantilever)



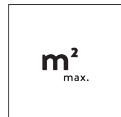
60 cm



6 m



15 kg



15 m²

Max. system sizes and weights - straight systems

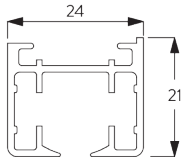
SG 2190		A (m)		B (m)		kg _{max.}	m ² _{max.}
		Type 1	Type 2/3	Type 1	Type 2/3	Type 1/2/3	Type 1/2/3
		1.8	1.8	5	5	15	9
		0.9 / 0.9	0.9 / 0.9	5	5	15	9
		2	2	5	5	15	10
		1 / 1	1 / 1	5	5	15	10
		2.5	2.5	6	6	15	15
		1.5 / 1.5	1.5 / 1.5	6	6	15	18

Bent systems

SG 2190		A (m)		B (m)		kg _{max.}	m ² _{max.}
		Type 1	Type 2/3	Type 1	Type 2/3	Type 1/2/3	Type 1/2/3
		2	2	5	5	15	10
		1 / 1	1 / 1	5	5	15	10
		2	2	5	5	15	10
		1 / 1	1 / 1	4	4	15	8
		2	2	4	4	10	8
		1 / 1	1 / 1	4	4	10	8

B. PROFILE

Profile and bending information

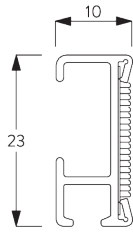


SG 2191

Profile

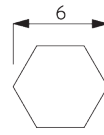


Radius:
>25 cm



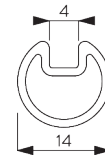
SG 2116

Velcro profile



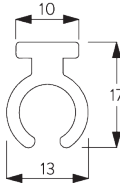
SG 2111

Shaft



SG 2156

Shaft



SG 2231

Profile



SG 2246

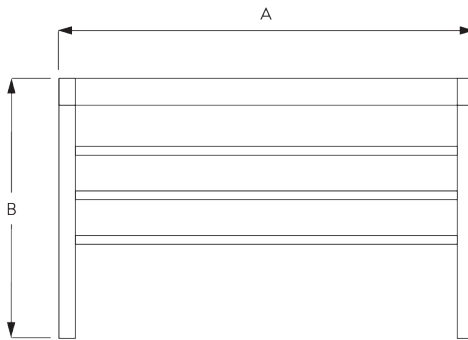
Rod PVC ø 5 mm



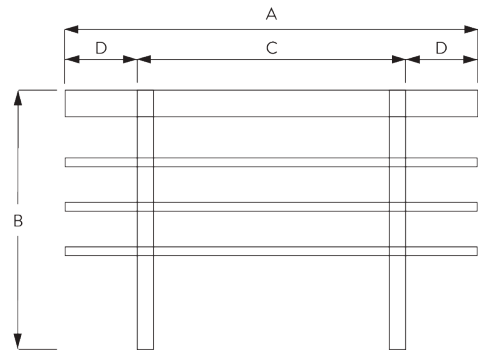
SG 2759

Profile

C. HOW TO MEASURE



A: System width
B: System height



A: System width
B: System height
C: Base system
D: Cantilever max. 80 cm

D. SPECIFICATION
TEXT

Silent Gliss SG 2190 Crank Handle Operated Skylight System: inside recess non-cantilever. [Single / Double] system supplied made to measure comprising drive shaft SG 2156, detachable crank handle SG 2746, hexagonal bar SG 2111, glider SG 2145, [cross rod SG 2759 / heavy duty cross rod SG 2248], Velcro profile SG 2116, connector SG 2242, top fix bracket SG 3603, side guide profiles SG 2191 in [silver / white / bronze / black] side fixed with SG 3825 clamps at 30cm centres. Optional fixing brackets [SG 3065B / SG 3066A / SG3066B]. [Left / right] hand operation. Fabric to be chosen from the Silent Gliss fabric range.

Silent Gliss SG 2190 Crank Handle Operated Skylight System: inside recess cantilever (single system only). Supplied made to measure comprising drive shaft SG 2156, detachable crank handle SG 2746, hexagonal bar SG 2111, glider SG 6321, Velcro profile SG 2116, Connector SG 2242, top fix bracket SG 3603, side guide profiles SG 2191 in [silver / white / bronze / black]. Cantilever parts: cross profile glider SG 2235, cross profile glider SG 2236, profile SG 2231 including profile SG 2246, end cover SG 2243. Side fixed with SG 3825 clamps at 30cm centres. Optional fixing brackets [SG 3065B / SG 3066A / SG3066B]. [Left / right] hand operation. Fabric to be chosen from the Silent Gliss fabric range.

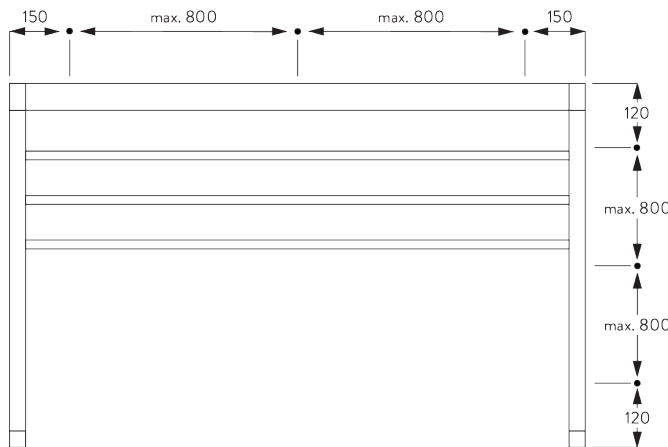
Silent Gliss SG 2190 Crank Handle Operated Skylight System: inside recess cantilever overhang (single system only). Supplied made to measure comprising drive shaft SG 2156, detachable crank handle SG 2746, hexagonal bar SG 2111, glider SG 6321, Velcro profile SG 2116, Connector SG 2242, top fix bracket SG 3603, aluminium side guide profiles SG 2191 in [silver / white / bronze / black]. Cantilever parts: cross profile glider SG 2235, cross profile glider SG 2236, profiles SG 2231 including profile SG 2246, end cover SG 2243. Side fixed with SG 3825 clamps at 30cm centres. Optional fixing brackets [SG 3065B / SG 3066A / SG3066B]. [Left / right] hand operation. Fabric to be chosen from the Silent Gliss fabric range.

FITTING

A. FITTING
INFORMATION

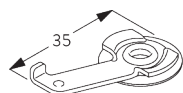
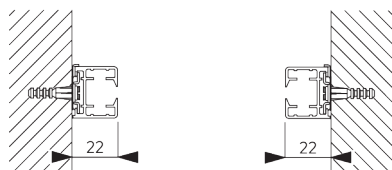
For detailed fitting information, visit the Silent Gliss website.

Fixing points



B. INSIDE FITTING

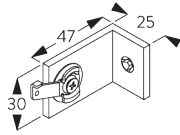
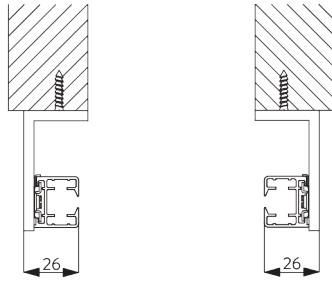
Clamp SG 3825



SG 3825
Clamp

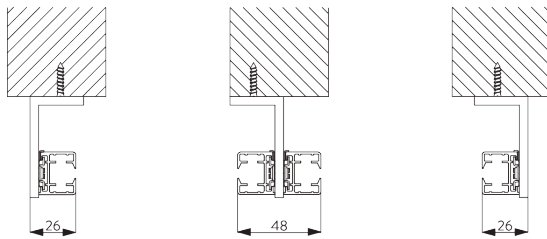
C. FACE FITTING

Bracket SG 3181

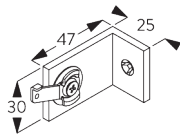


SG 3181

Bracket with 1 clamp



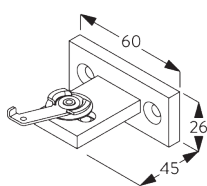
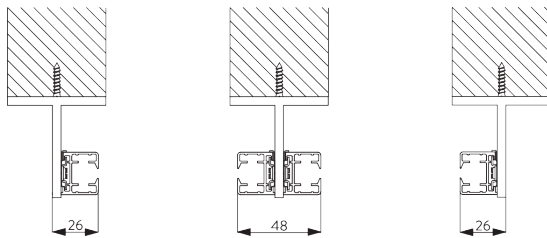
Double system



SG 3181

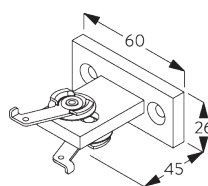
Bracket with 1 clamp

T-Bracket SG 2138 / SG 2139



SG 2138

T-bracket 1 clamp

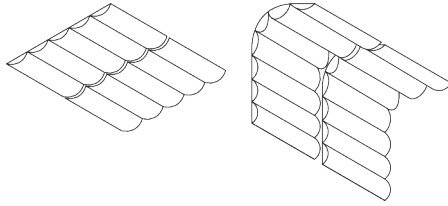


SG 2139

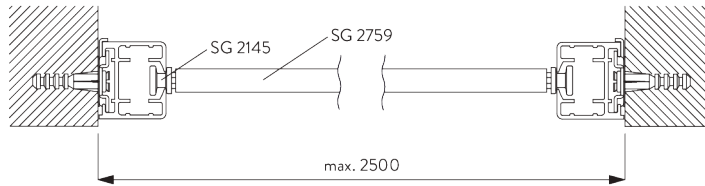
T-bracket 2 clamps

SYSTEM OPTIONS

A. TWO CONNECTED SYSTEMS

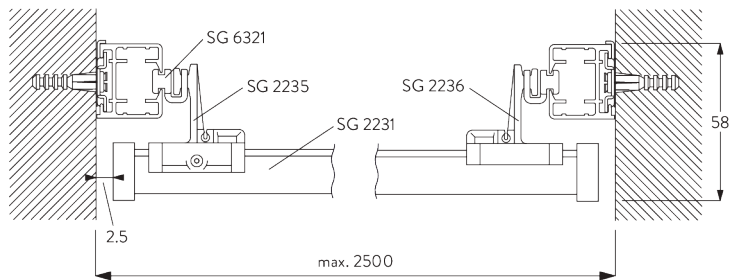


B. INSTALLATION OPTIONS



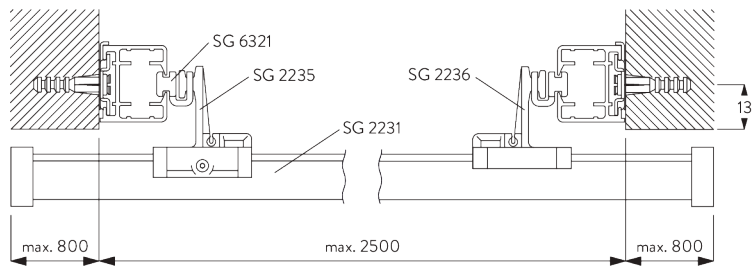
Type 1

- SG 2145: Glider
- SG 2759: Profile



Type 2 (Profiles covered)

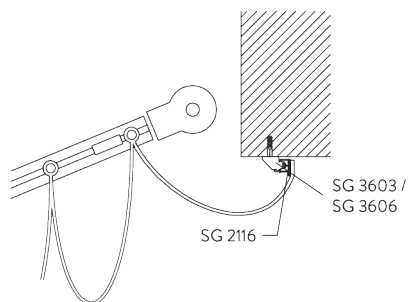
- SG 2231: Profile
- SG 2235: Glider with screw
- SG 2236: Glider without screw
- SG 6321: Glider



Type 3 (Cantilever version to cover side profiles)

- SG 2231: Profile
- SG 2235: Glider with screw
- SG 2236: Glider without screw
- SG 6321: Glider

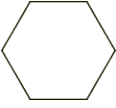
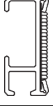
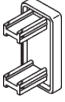
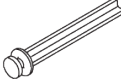

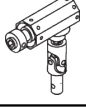
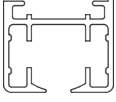
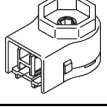
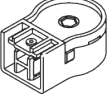
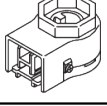
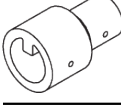

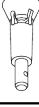
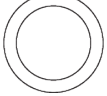
C. FABRIC FIXING



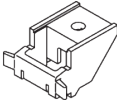
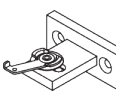

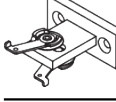
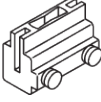

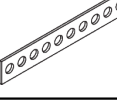
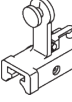

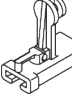
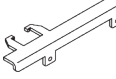
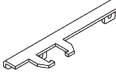
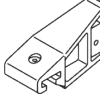
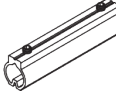

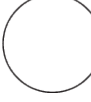

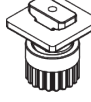
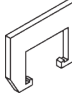
Fixing of fabric with profile SG 2116

PARTS

A. STANDARD PARTS

	SG 2111 Shaft
	SG 2116 Velcro profile
	SG 2131 End cover
	SG 2145 Glider
	SG 2156 Shaft
	SG 2189 Crank drive
	SG 2191 Profile
	SG 2192 Drive
	SG 2193 Guide return
	SG 2230 Drive
	SG 2244 Connector
	SG 2747 Crank handle
	SG 2754 Detachable crank hood
	SG 2759 Profile

B. OPTIONAL PARTS

	SG 3603 Bracket		SG 2138 T-bracket 1 clamp
	SG 3825 Clamp		SG 2139 T-bracket 2 clamps
	SG 5005 Belt connector		SG 2231 Profile
	SG 5130 Driving belt		SG 2235 Cross glider
	SG 6086 Spring stop		SG 2236 Cross profile glider
			SG 2237 Overlap arm right
			SG 2238 Overlap arm left
			SG 2241 Halter
			SG 2242 Connector
			SG 2243 End cover
			SG 2246 Rod PVC ø 5 mm
			SG 2249 Holder
			SG 2255 Brake
			SG 2613 Connector



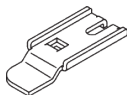
SG 2742

Crank joint



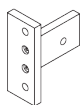
SG 2745

Crank handle with joint



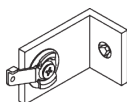
SG 3041

Bracket



SG 3066

T-Bracket



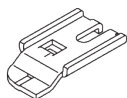
SG 3181

Bracket with 1 clamp



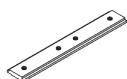
SG 3606

Clip



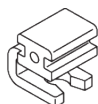
SG 3832

Bracket



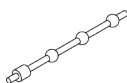
SG 5115

Connection bridge



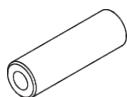
SG 6321

Glider



SG 6322

Distance cord



SG 6796

Spring pin 4x12 DIN 1481

